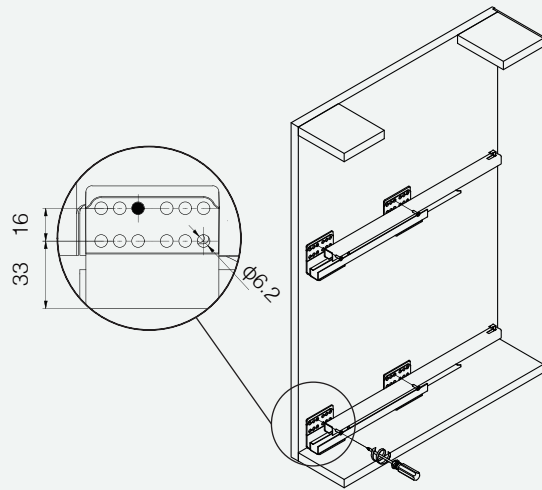
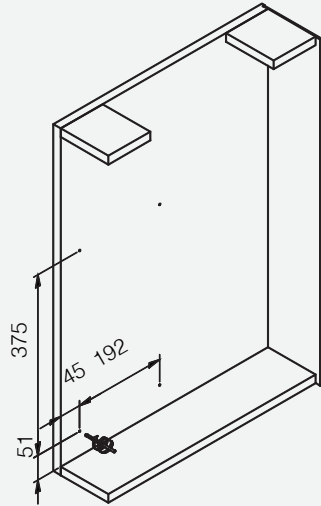




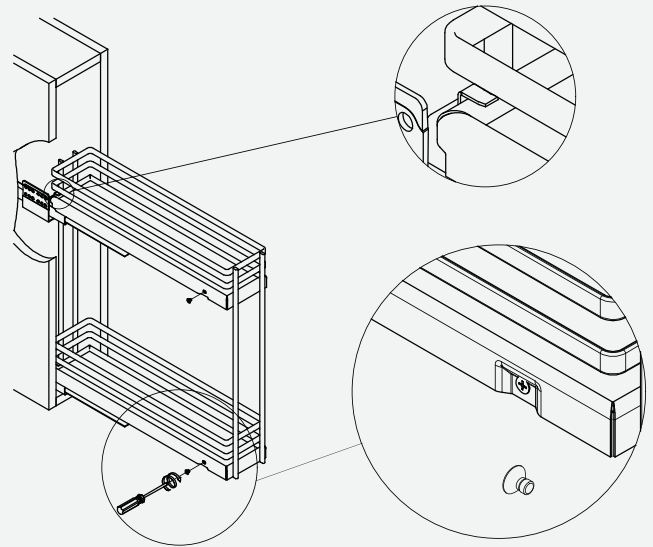
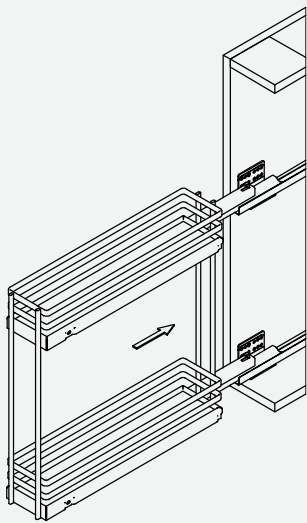
X16

X2

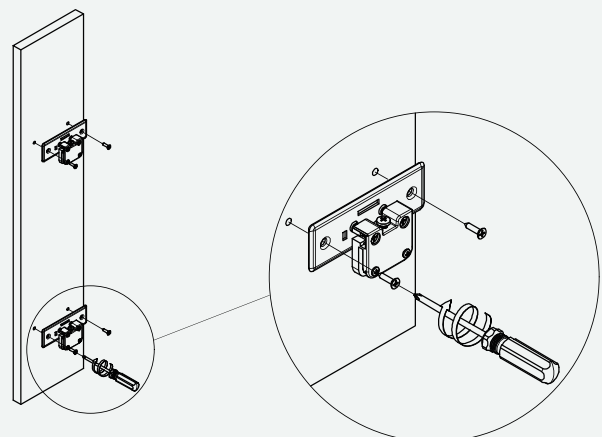
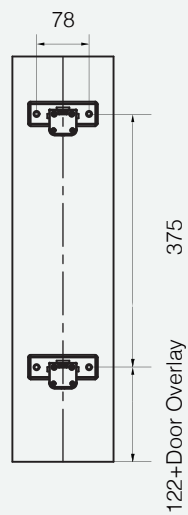
1. Slide assembly



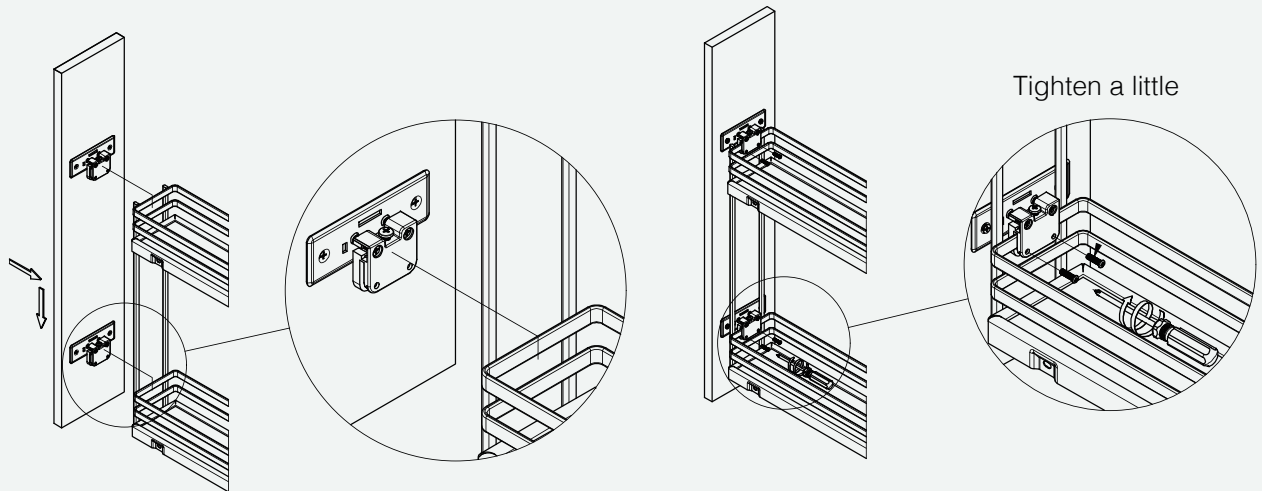
2. Basket assembly



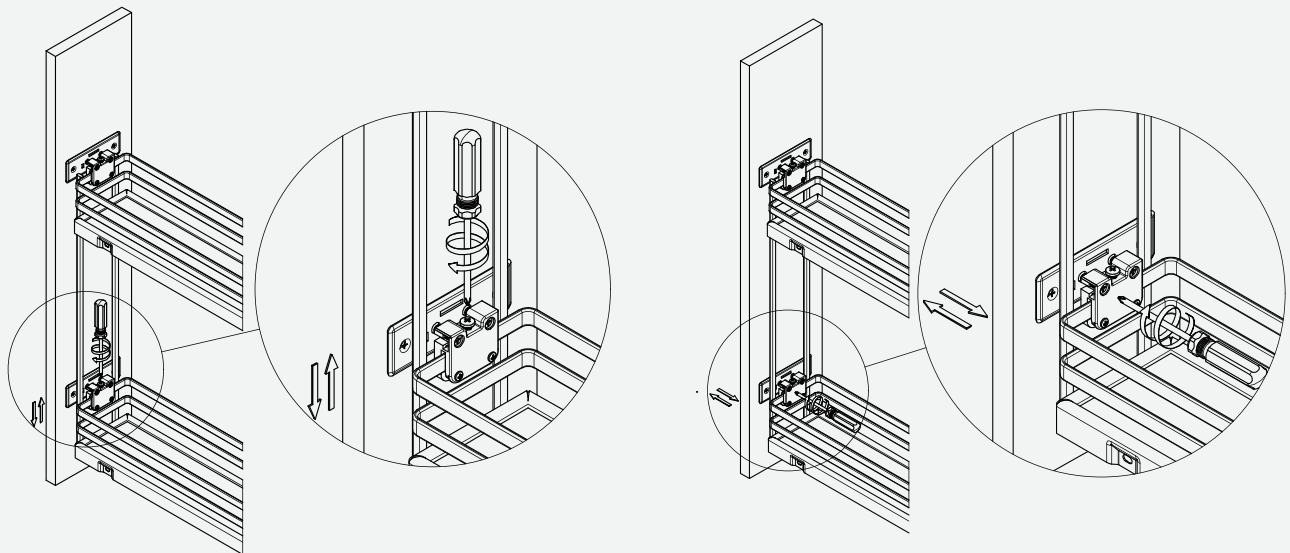
3. Door bracket



## 4. Door assembly



## 5. Adjustment



## 6. Finish

