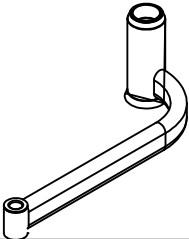
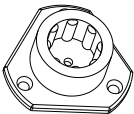
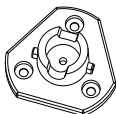
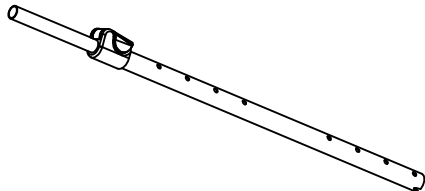
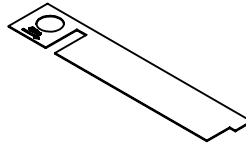
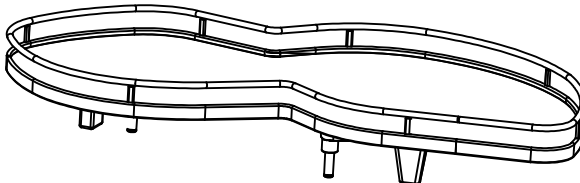
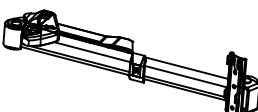
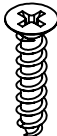
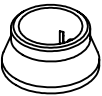

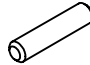


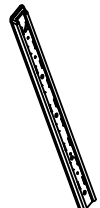



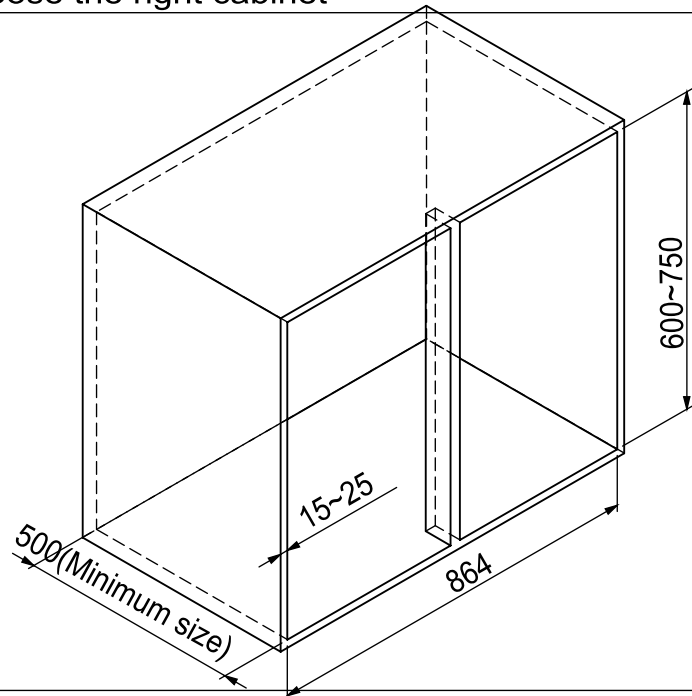
Installation Instructions(R)



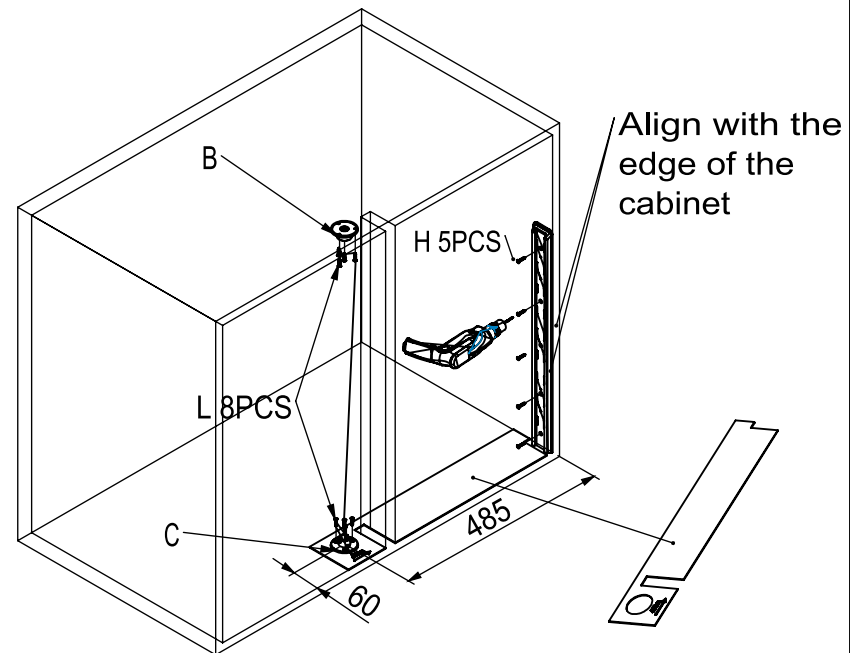
1. Accessories list

A.2PCS 	B.1PCS 	C.1PCS 	D.1PCS 	E.1PCS 	F.2PCS 			
G.2PCS 	H.5PCS  ST4*20	I.2PCS 	J.2PCS 	K.2PCS 	L.8PCS  ST4*16	M.2PCS  M4*8	N.1PCS 	P.4PCS 

2. Choose the right cabinet

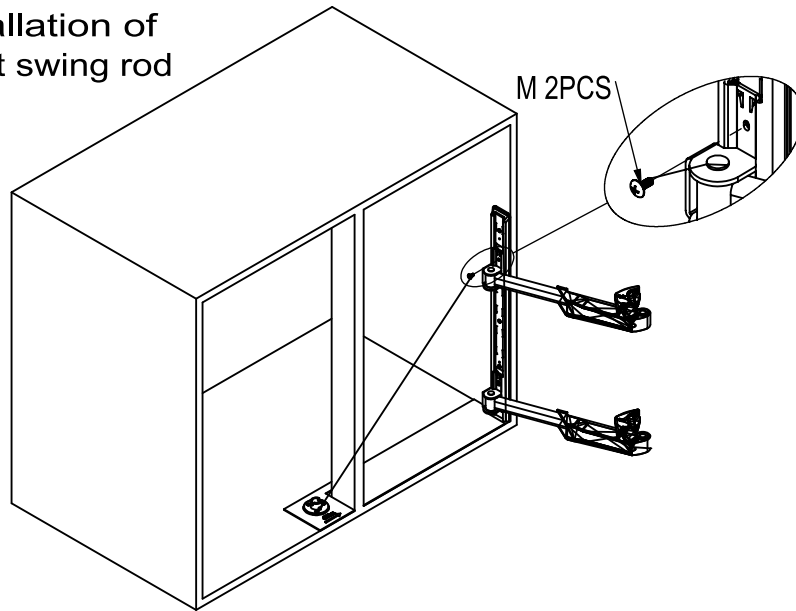


3. Mounting accessories B/C/N

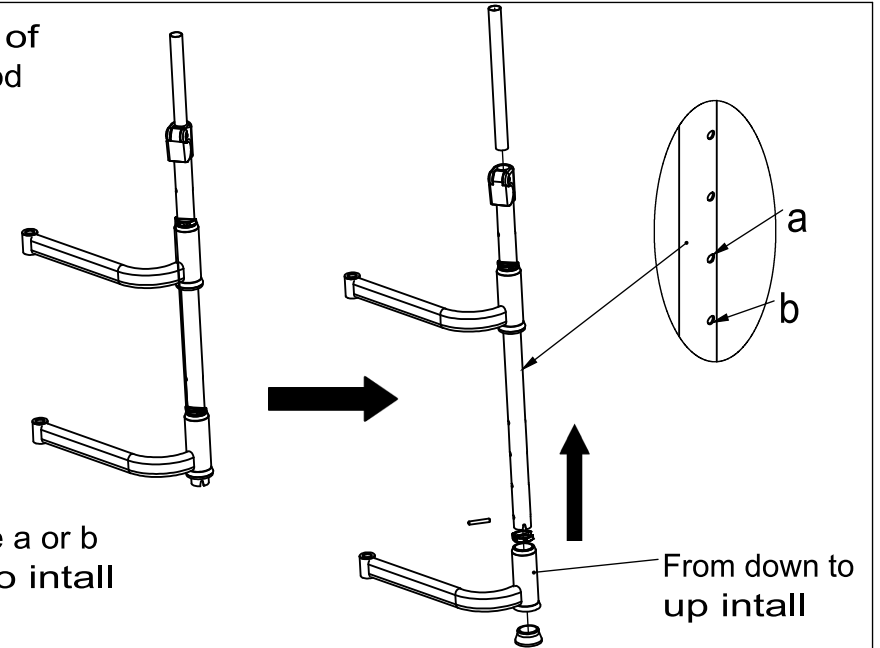


Installation Instructions(R)

4. Installation of straight swing rod



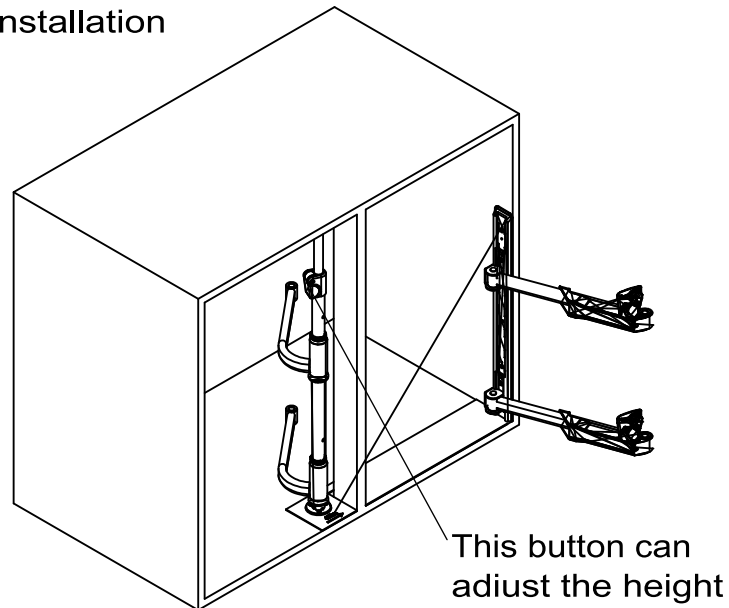
5. Installation of curved swing rod



Can choose a or b position to intall

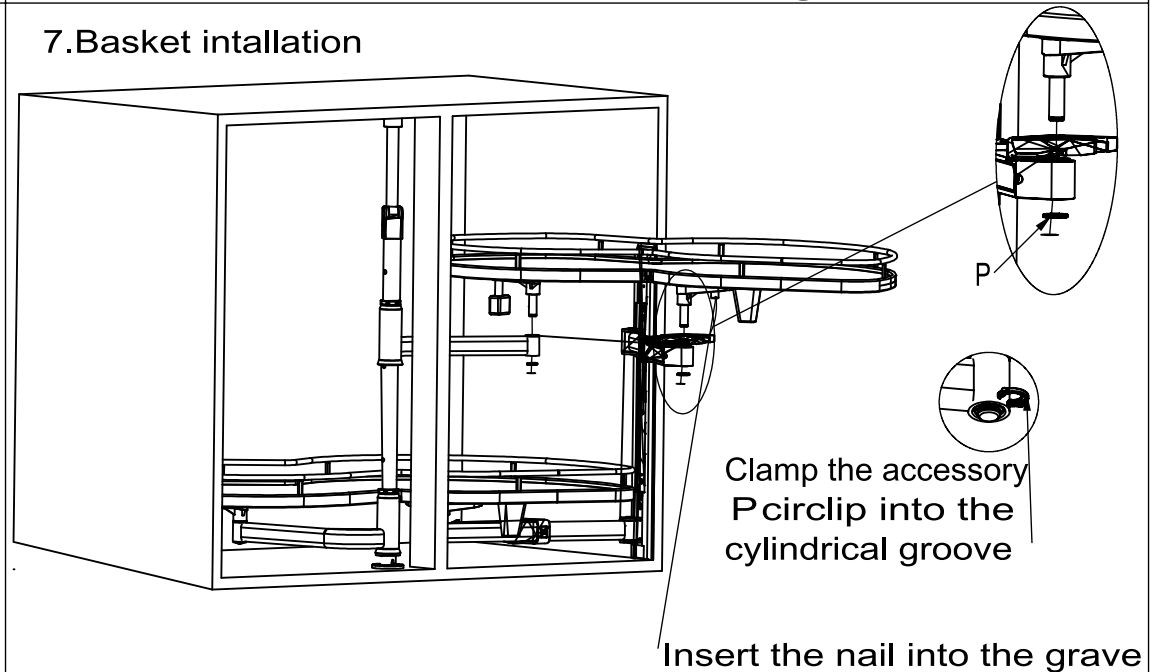
From down to up intall

6. Tube installation



This button can adiuat the height

7. Basket intallation



Clamp the accessory P circlip into the cylindrical groove

Insert the nail into the grave