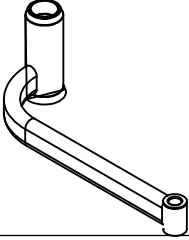
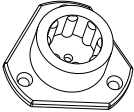
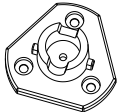
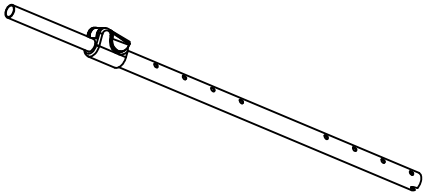
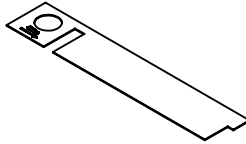
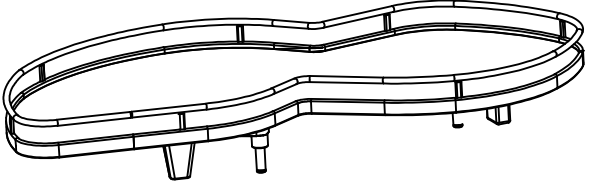
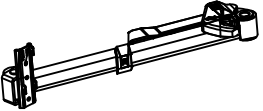
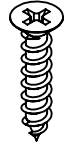
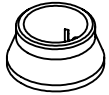


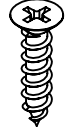

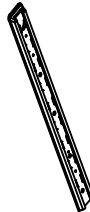



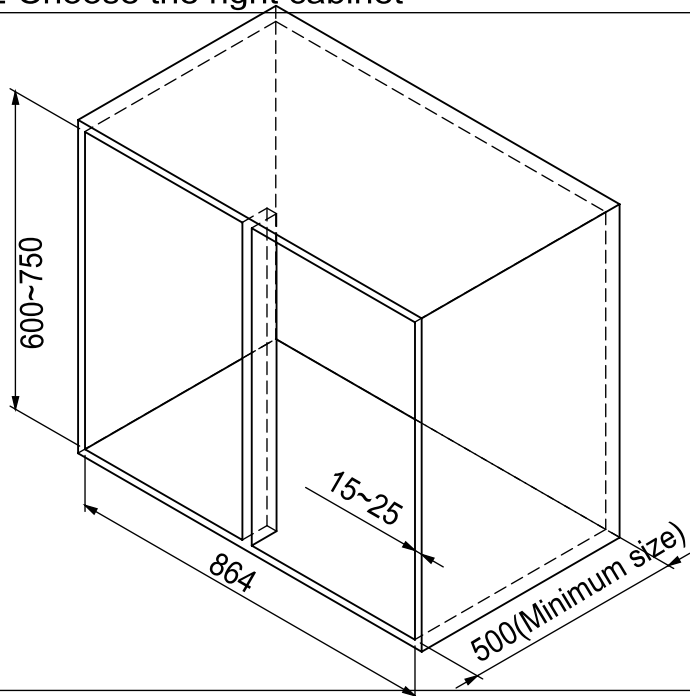
Installation Instructions(L)



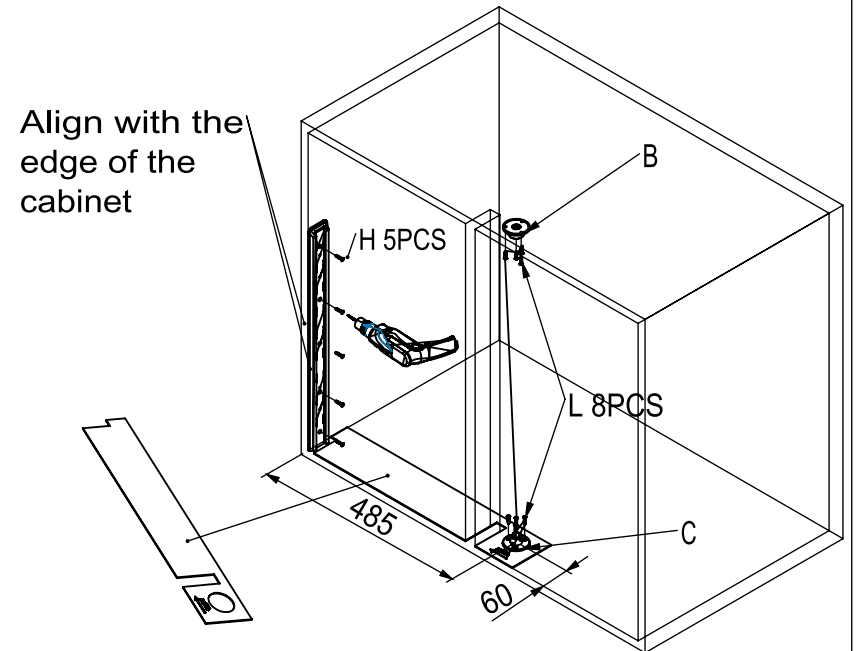
1. Accessories list

A.2PCS 	B.1PCS 	C.1PCS 	D.1PCS 	E.1PCS 	F.2PCS 			
G.2PCS 	H.5PCS  ST4*20	I.2PCS 	J.2PCS 	K.2PCS 	L.8PCS  ST4*16	M.2PCS  M4*8	N.1PCS 	P.4PCS 

2 Choose the right cabinet

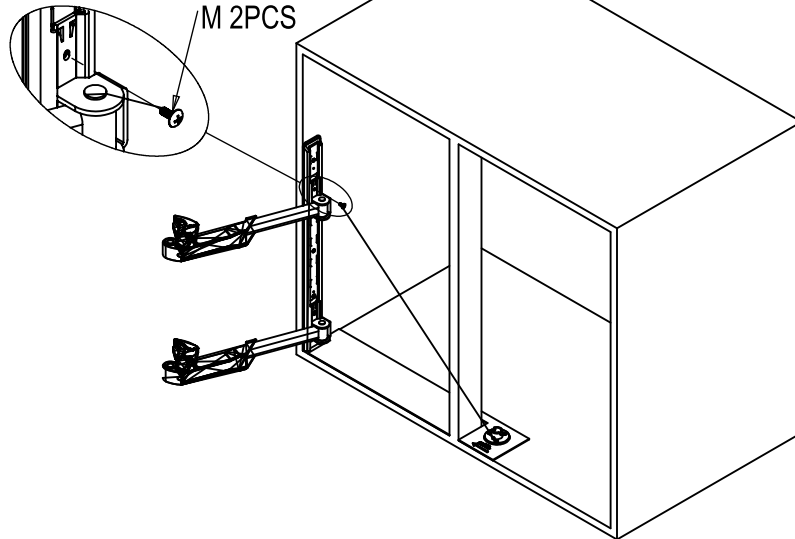


3.Mounting accessories B/C/N

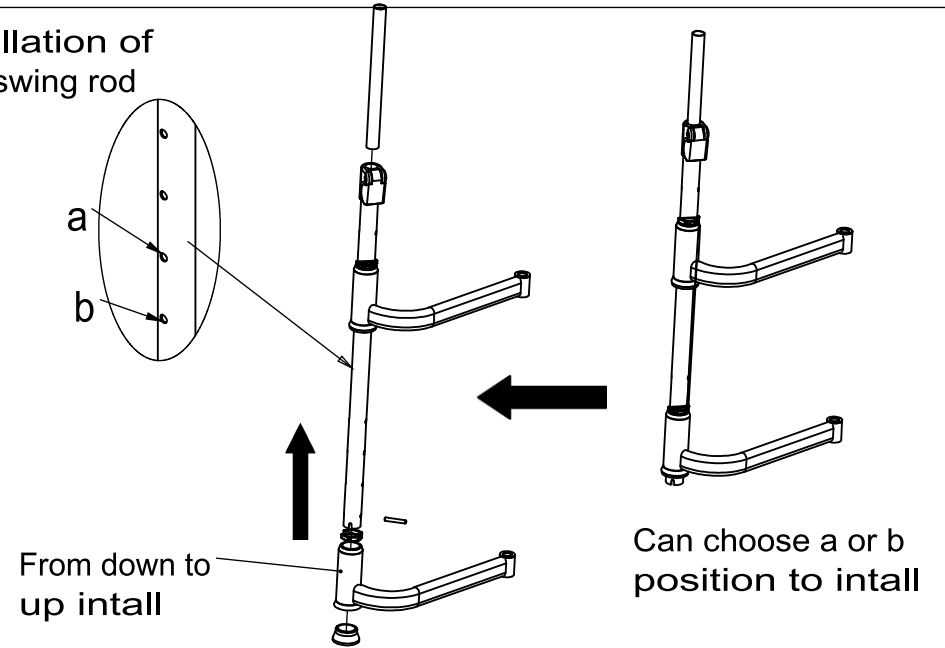


Installation Instructions(L)

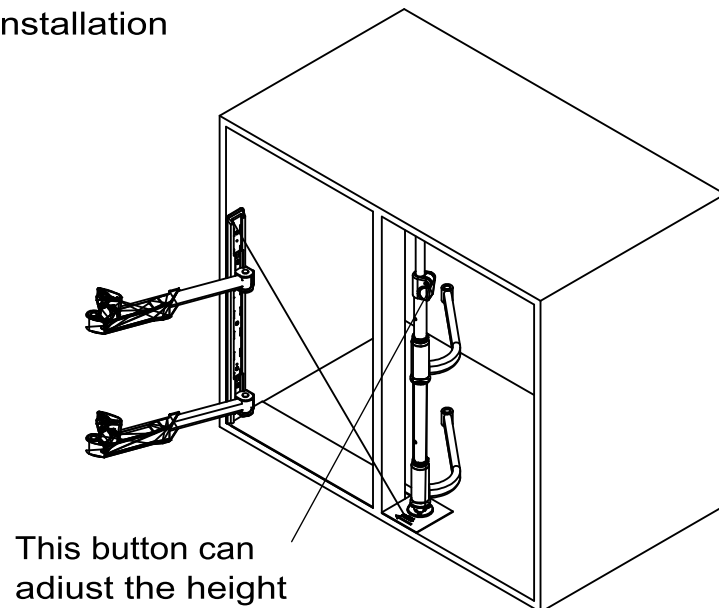
4. Installation of straight swing rod



5. Installation of curved swing rod



6. Tube installation



7. Basket installation

