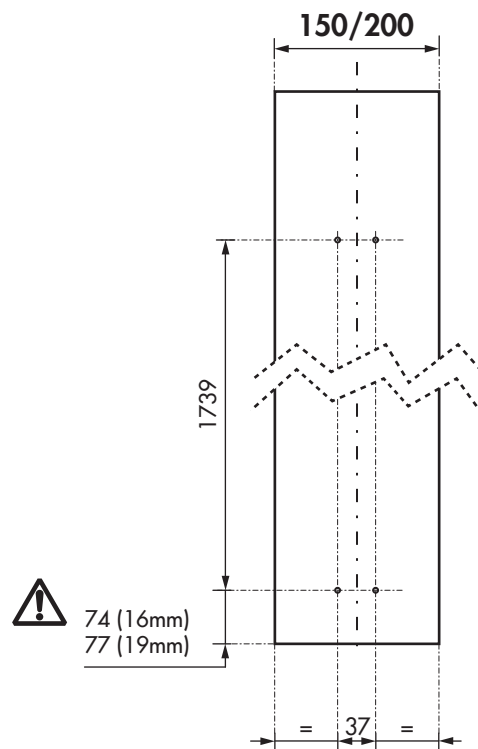
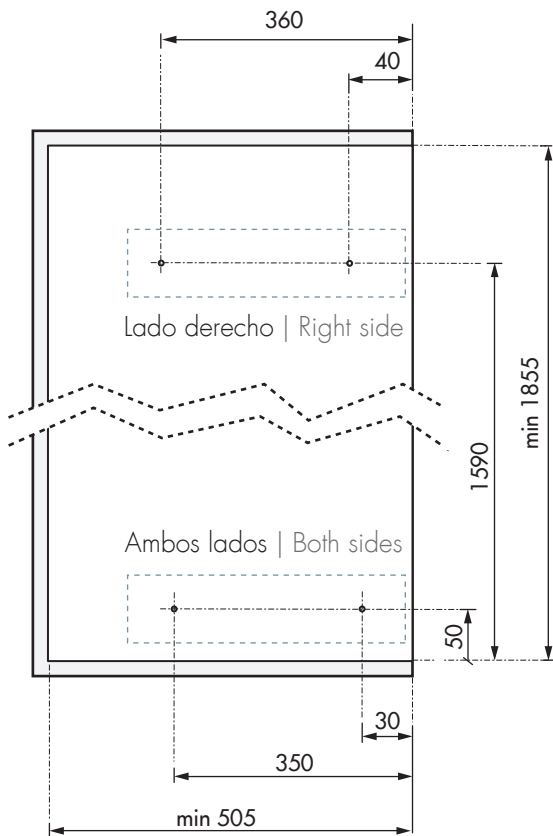
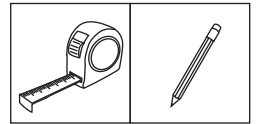
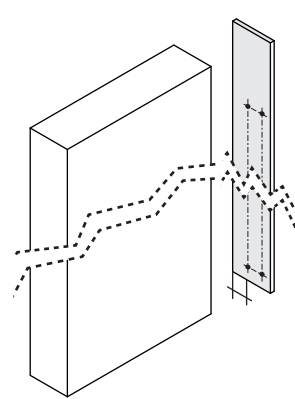
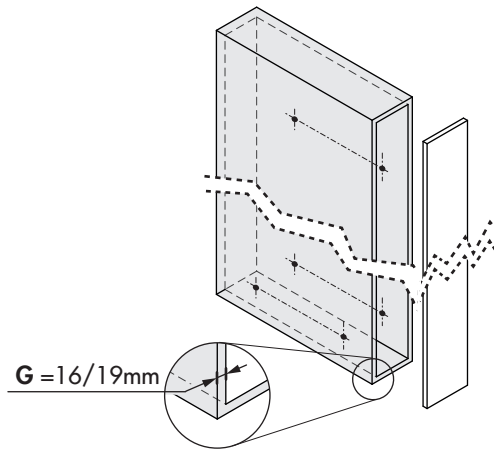
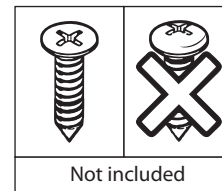
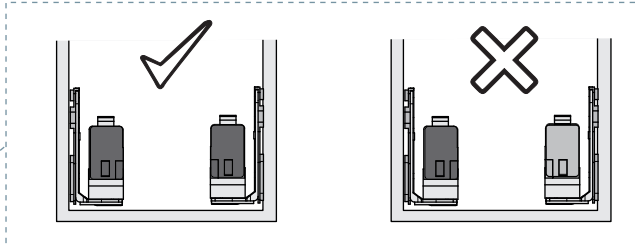
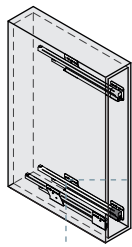


1

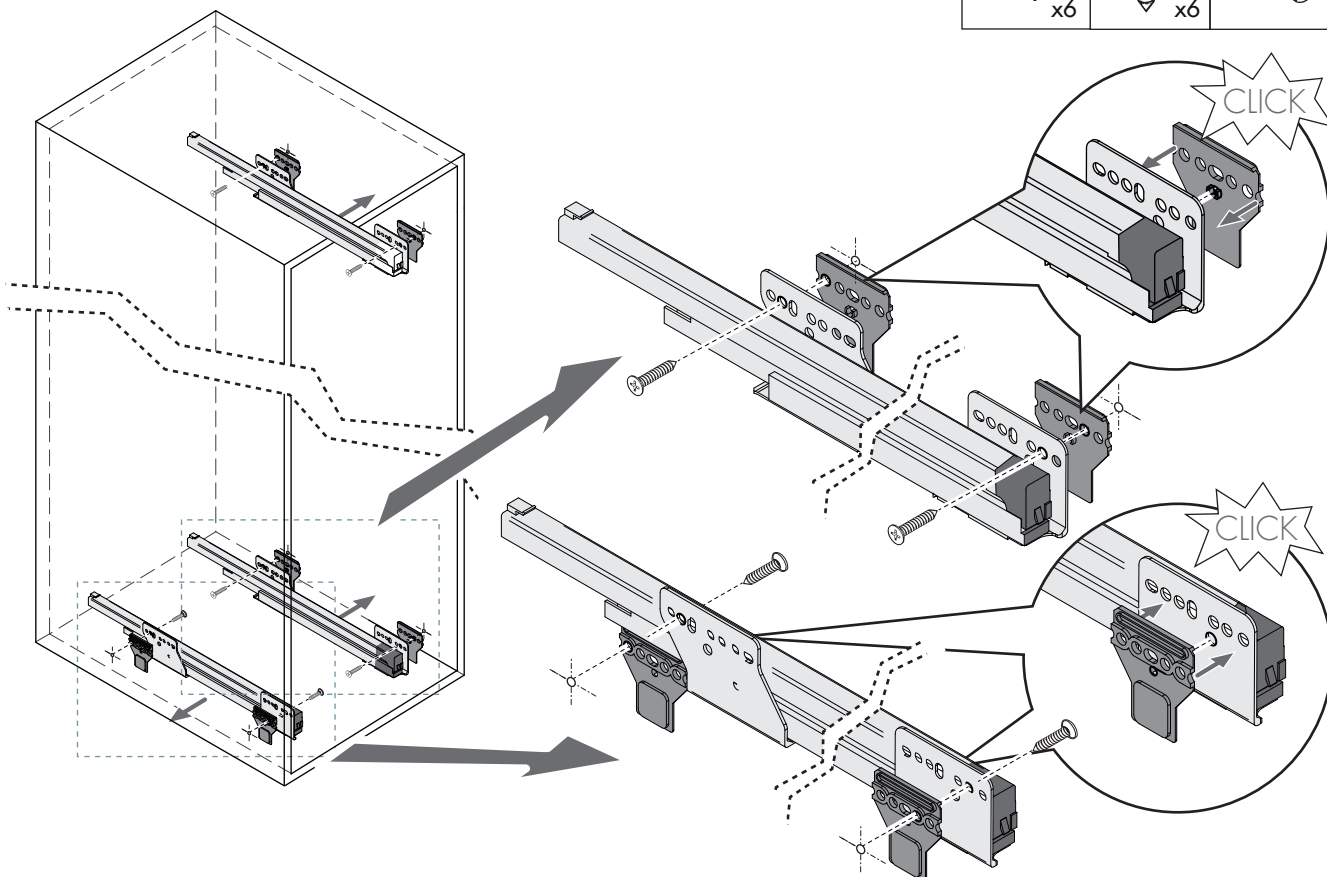
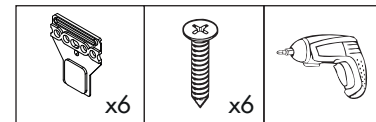


Unidades en milímetros | Units in millimeters | Unités en millimètres

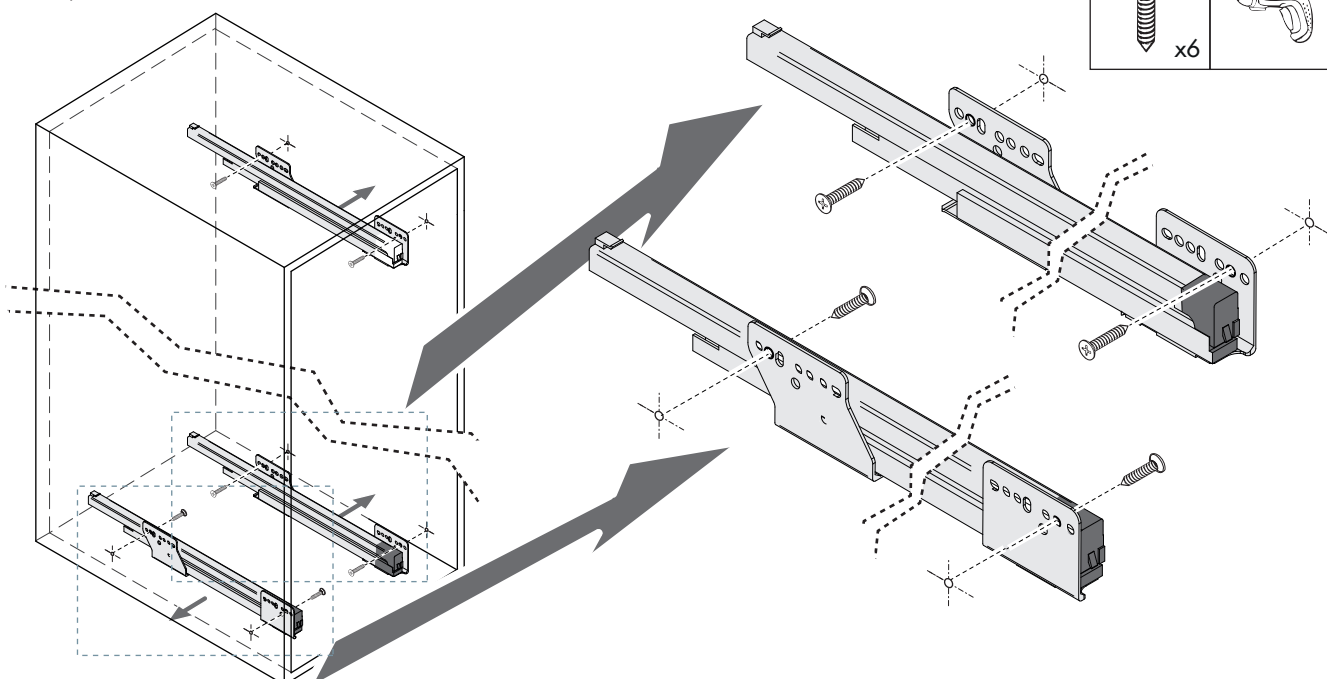
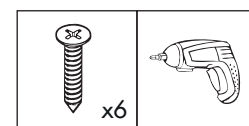
2



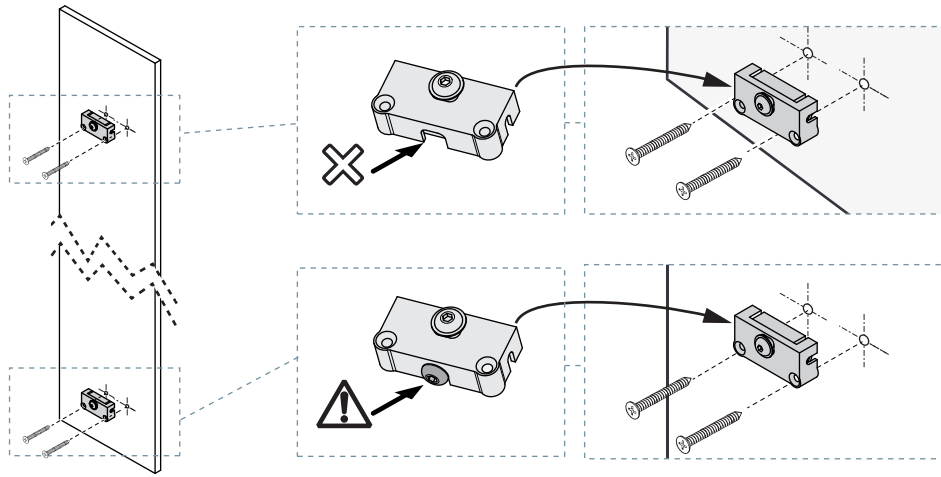
Espesor 16mm | Thicknes 16 mm




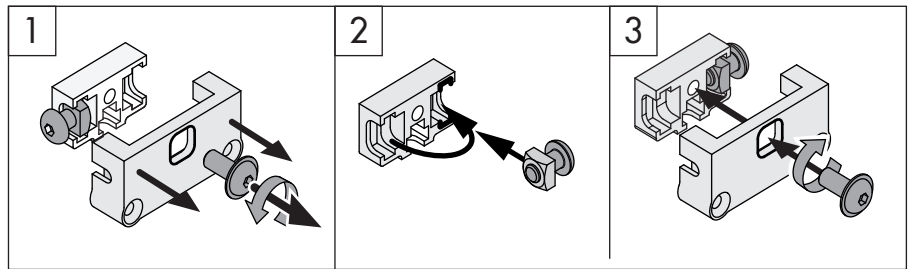
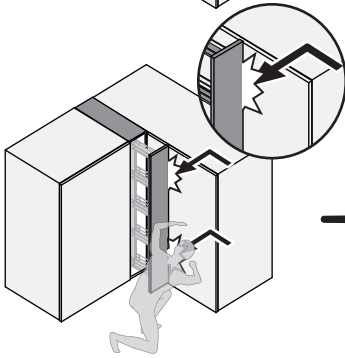
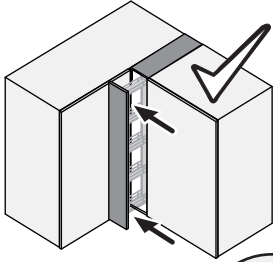
Espesor 19mm | Thicknes 19 mm



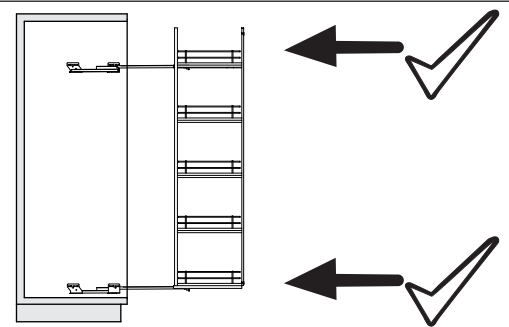
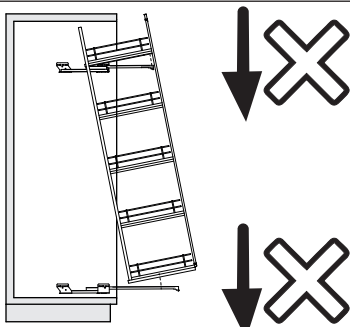
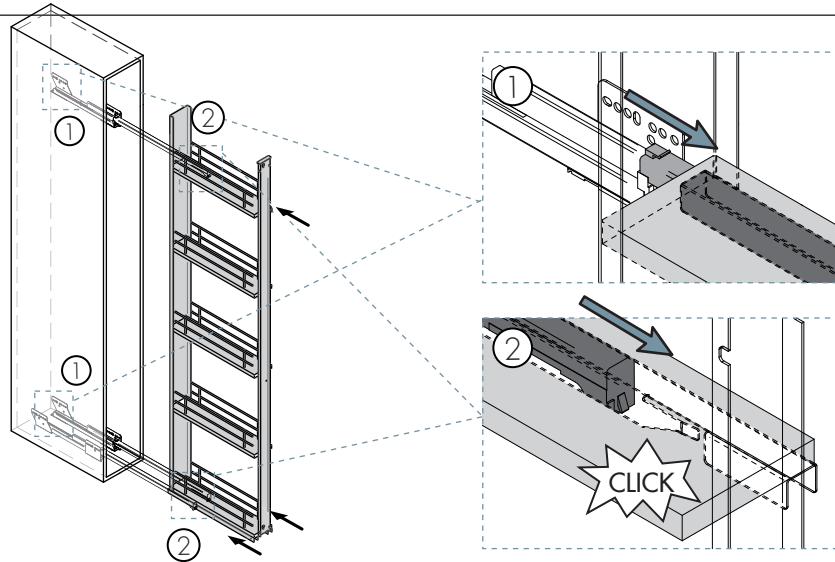
3

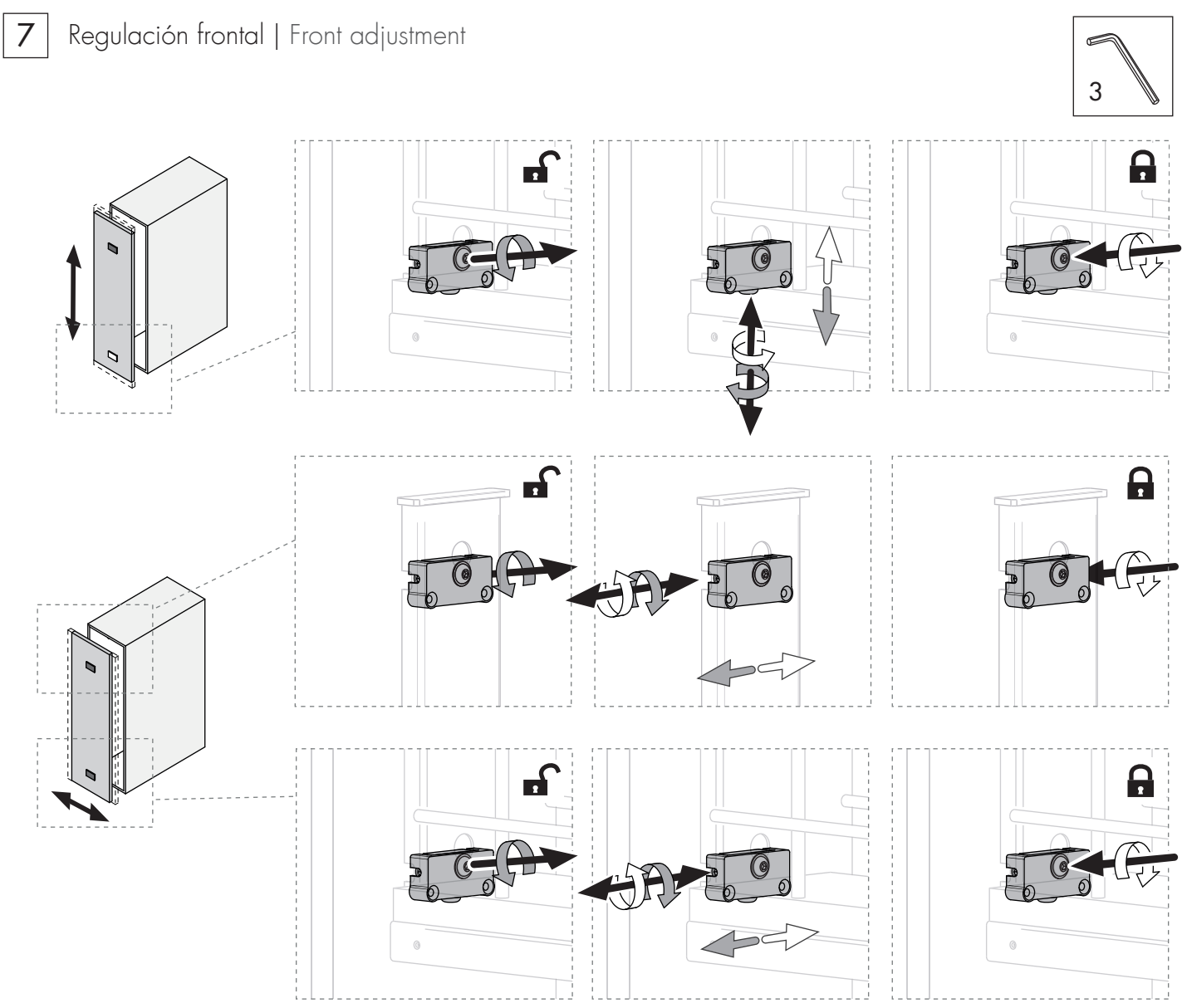
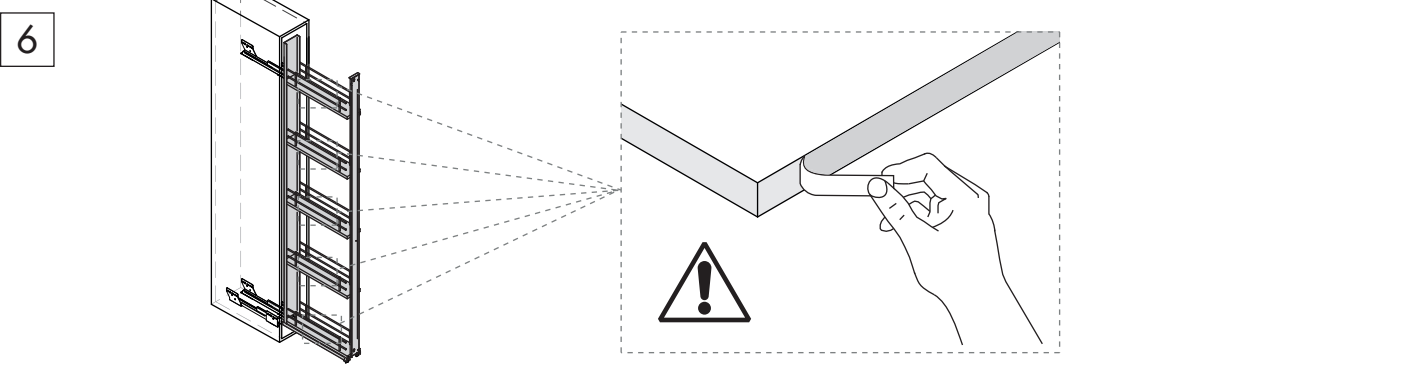
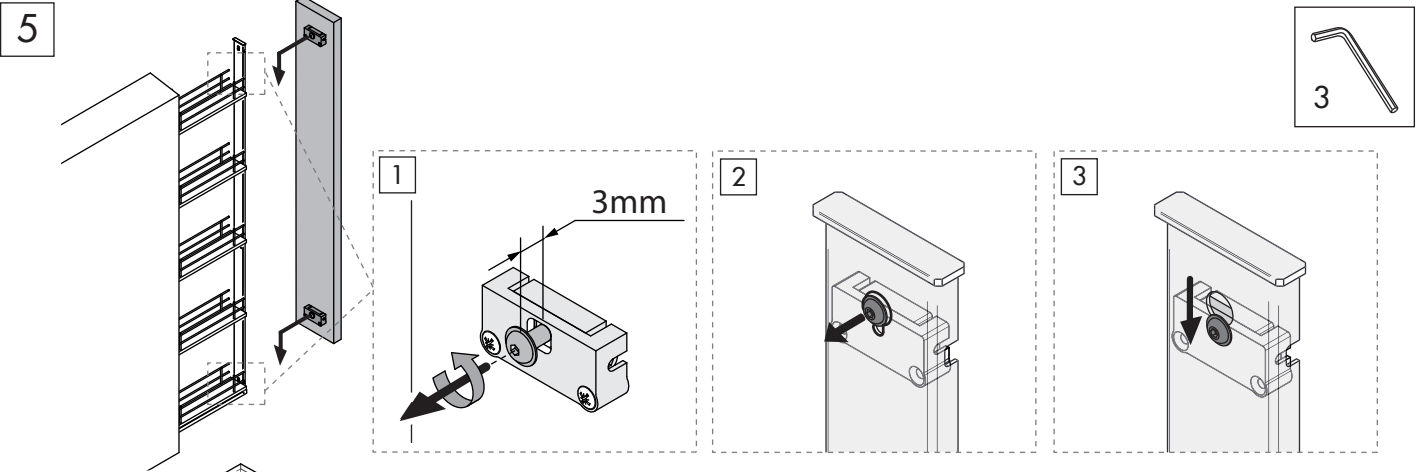


ø3.5x25mm
x4

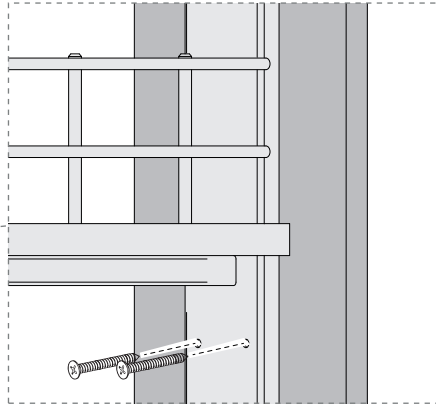
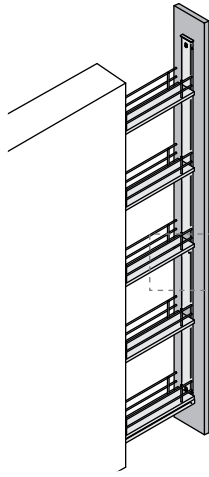



4





8



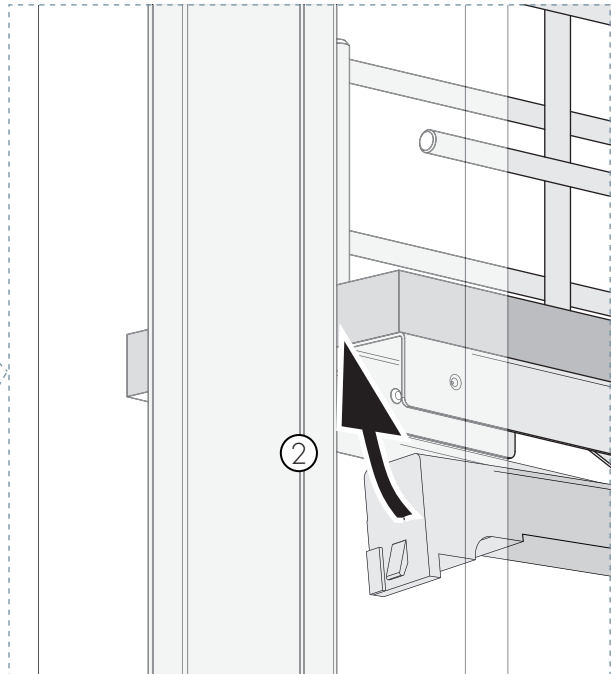
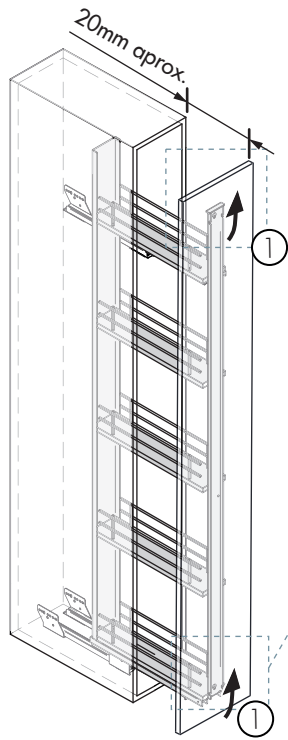
ø4x25mm



x2

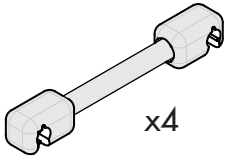


i Desmontaje | Dismount | Démontage



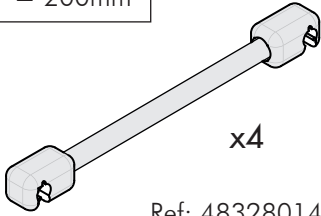
Productos Complementarios | Complementary products | Produits complémentaires

F = 150mm

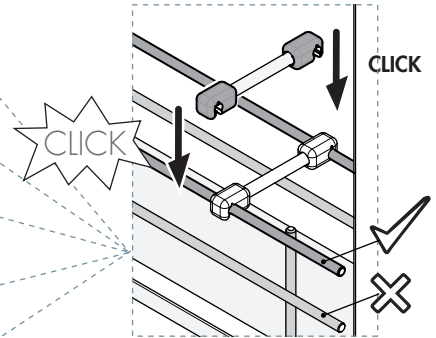
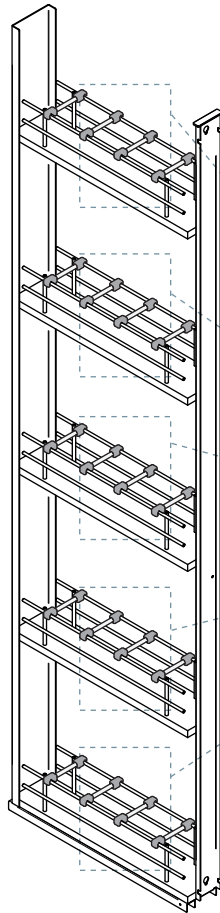
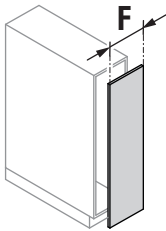


Ref: 48327014

F = 200mm

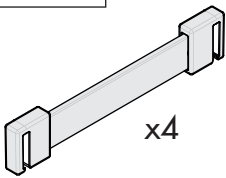


Ref: 48328014



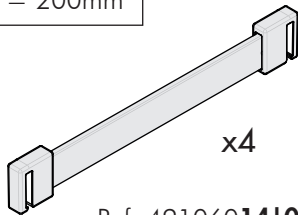
Ref: (F = 150mm) 44337014
(F = 200mm) 44338014

F = 150mm



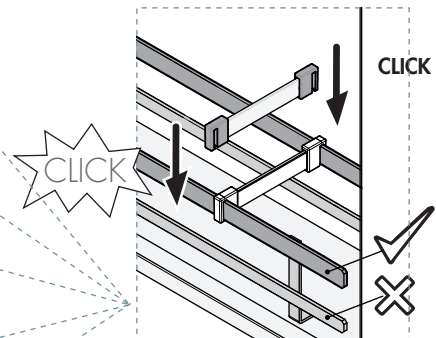
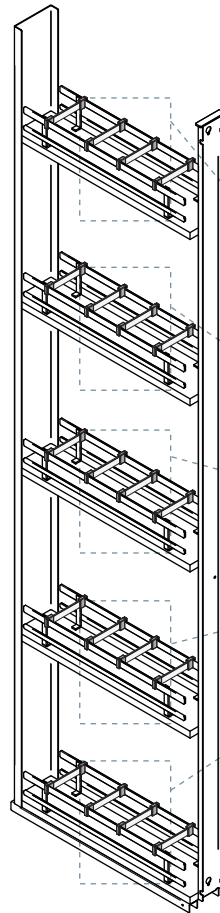
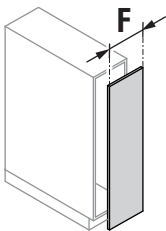
Ref: 49105014|07

F = 200mm



Ref: 49106014|07

14 Cromo | Chrome
07 Antracita | Anthracite



Ref: (F = 150mm) 49137014 /07
(F = 200mm) 49138014 /07

