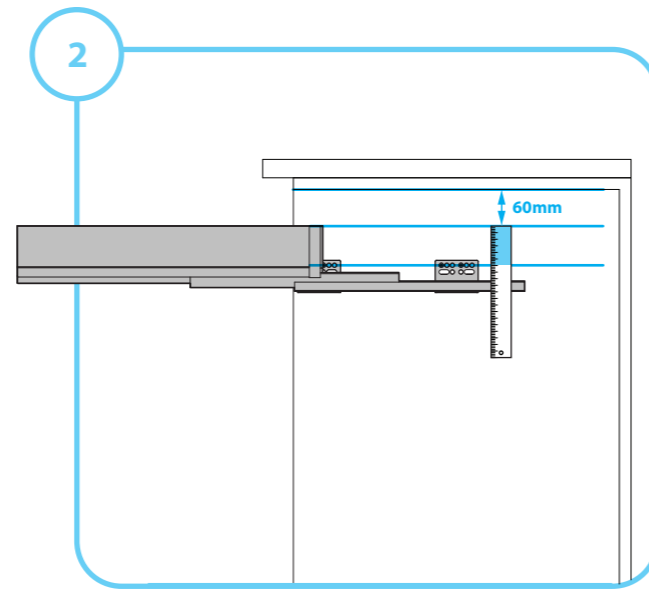
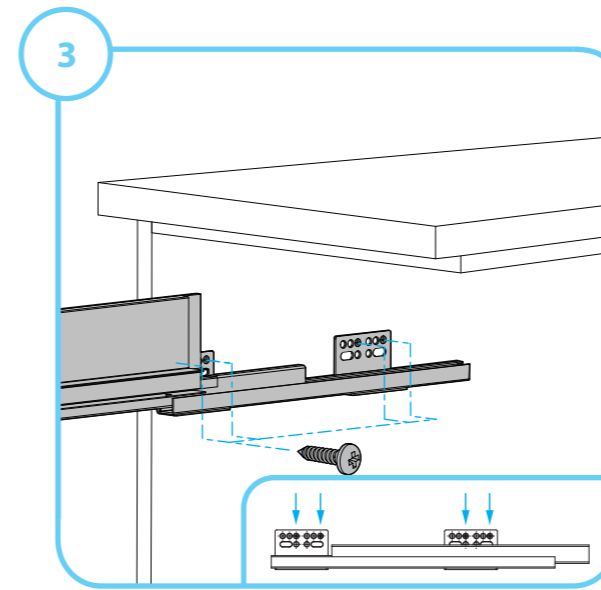


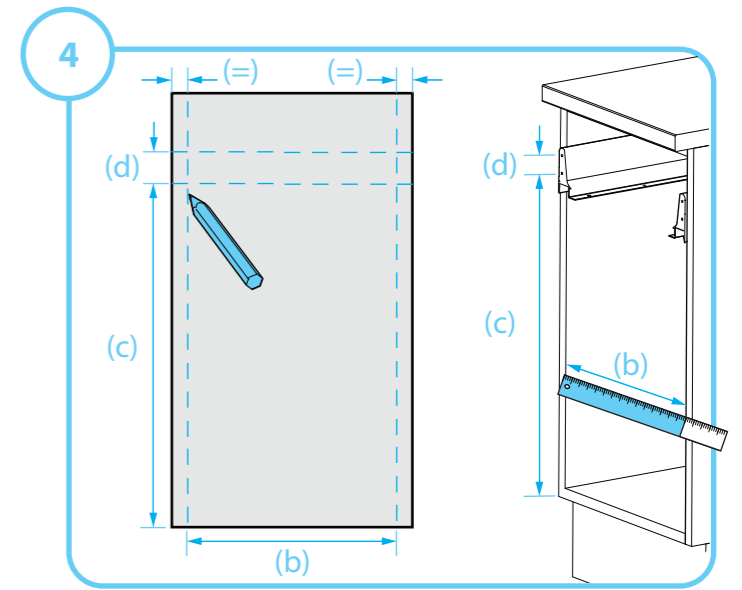
Supplied components



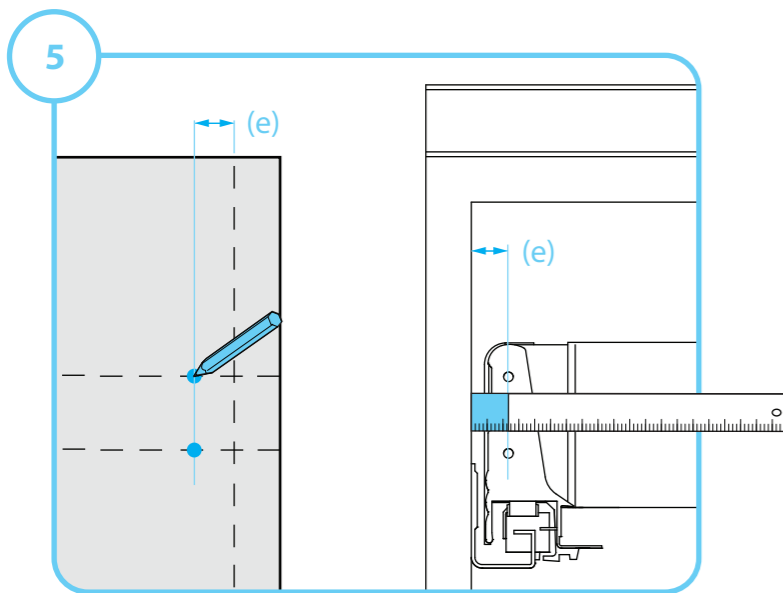
Measure 60mm (minimum) to top of runner and mark location of mounting holes



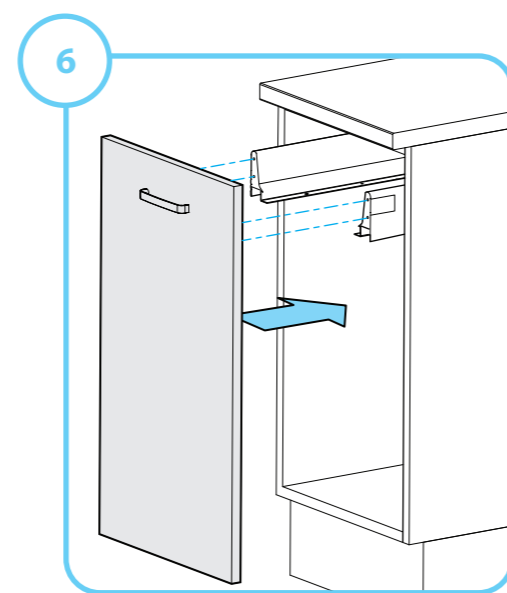
Mount runners as per manufacturers instructions (runners and screws not supplied)



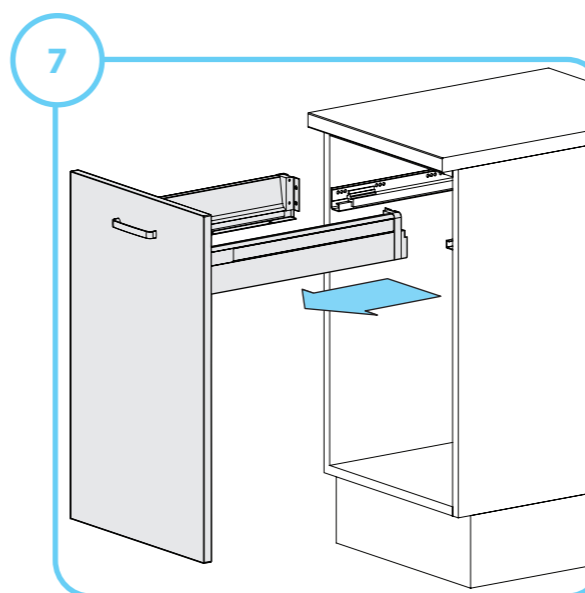
Measure the cabinet inner width (b), and the runner hole height (c), and spacing (d), mark on the door



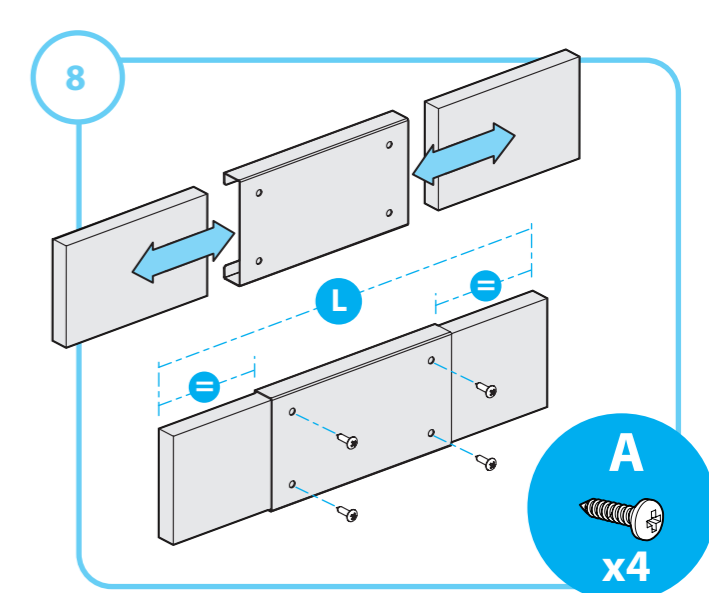
Measure the hole inset distance (e) and mark on the door



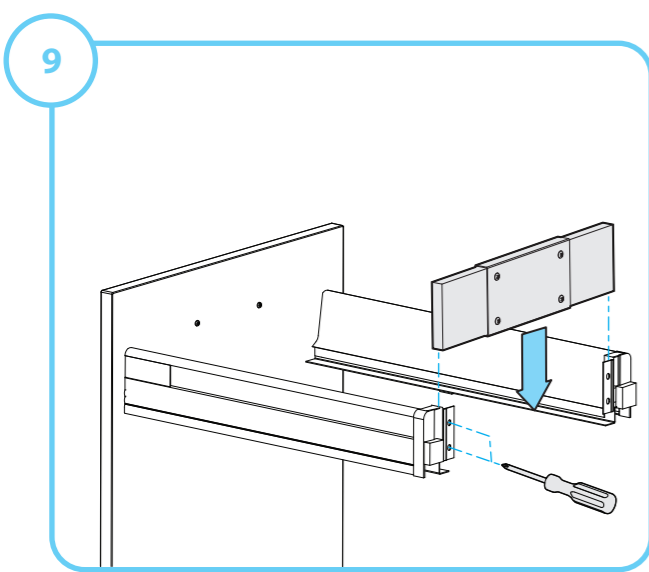
Mount door runner brackets to door and clip into the runners (screws not supplied)



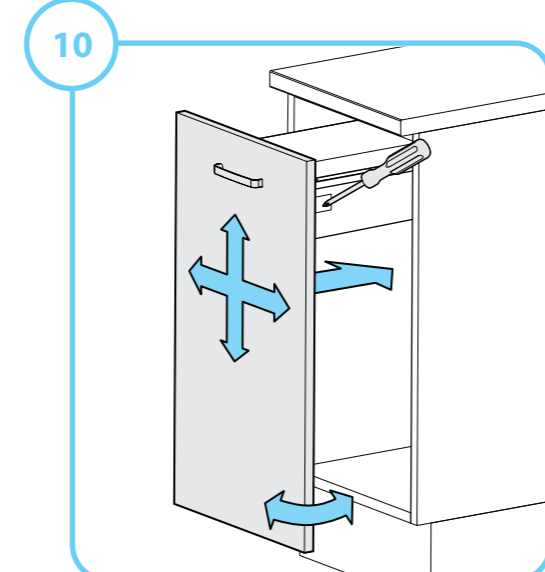
Remove drawer assembly



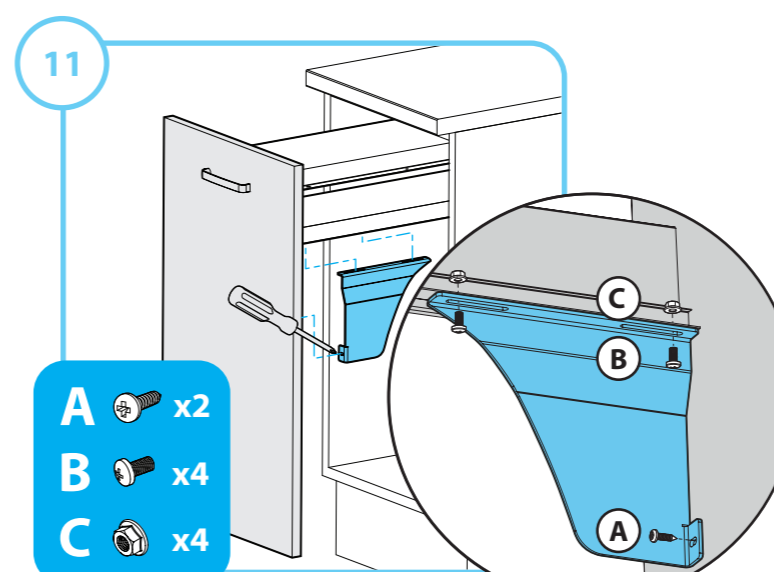
Adjust drawer back panel to correct size (refer to runner instructions). Make sure the bracket is centred, then fix with supplied screws



Install drawer back panel

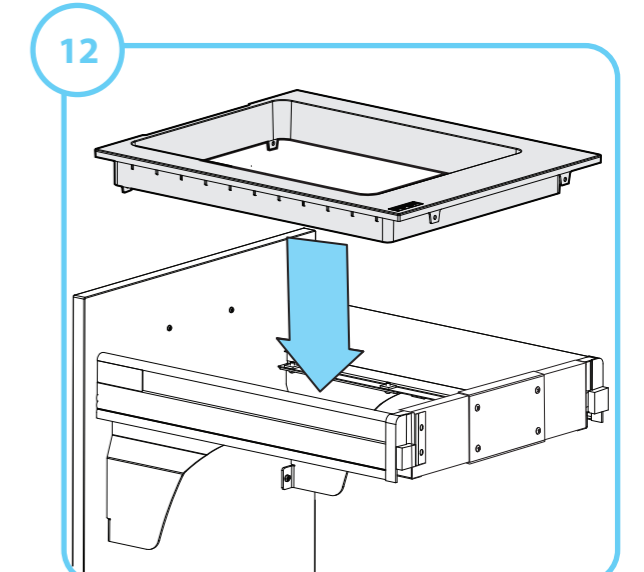


Re-install drawer assembly and adjust door

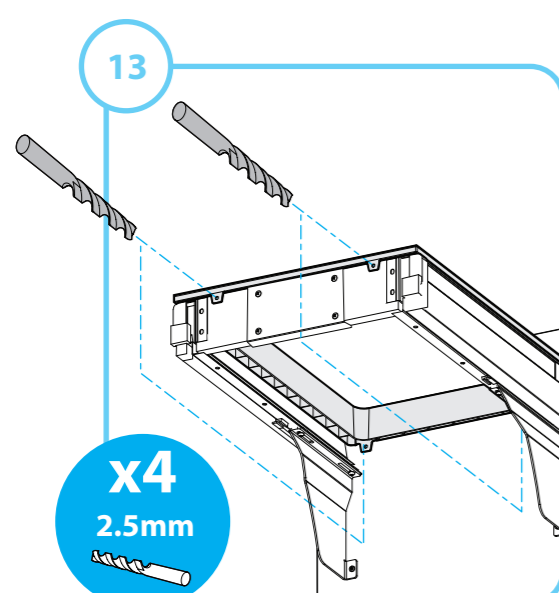


- A x2
- B x4
- C x4

Attach door brackets on both sides

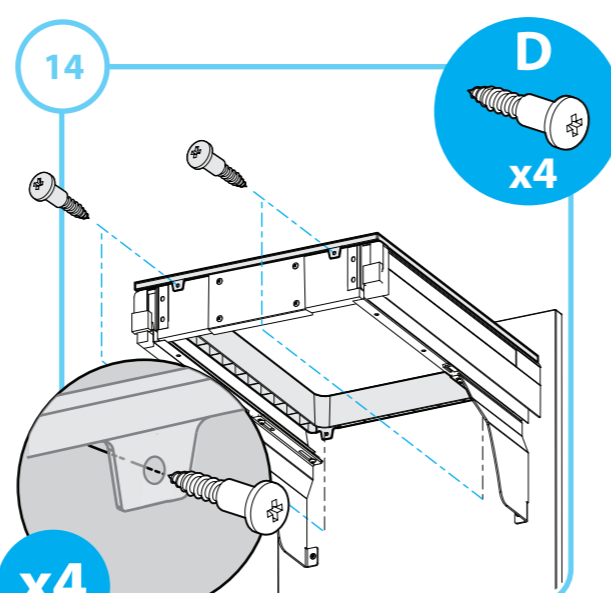


Install tray



- x4
- 2.5mm

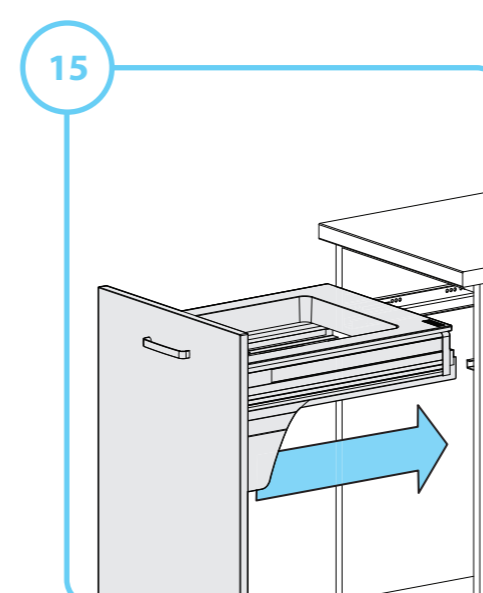
Center tray, mark and drill holes



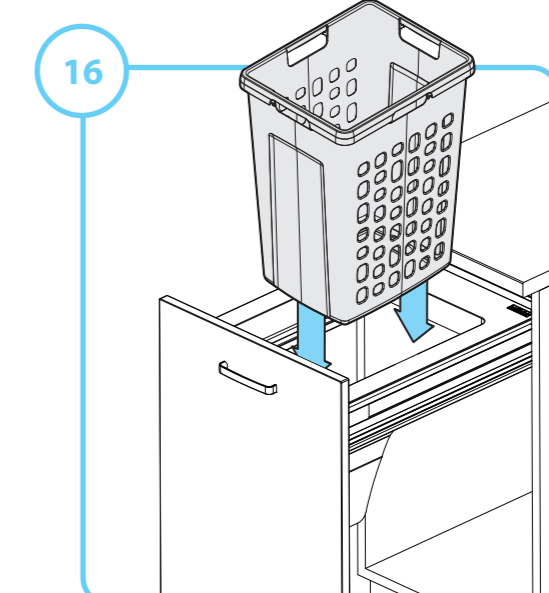
- D
- x4

- x4

Attach tray with stepped screws



Re-install drawer



Insert laundry bin into tray