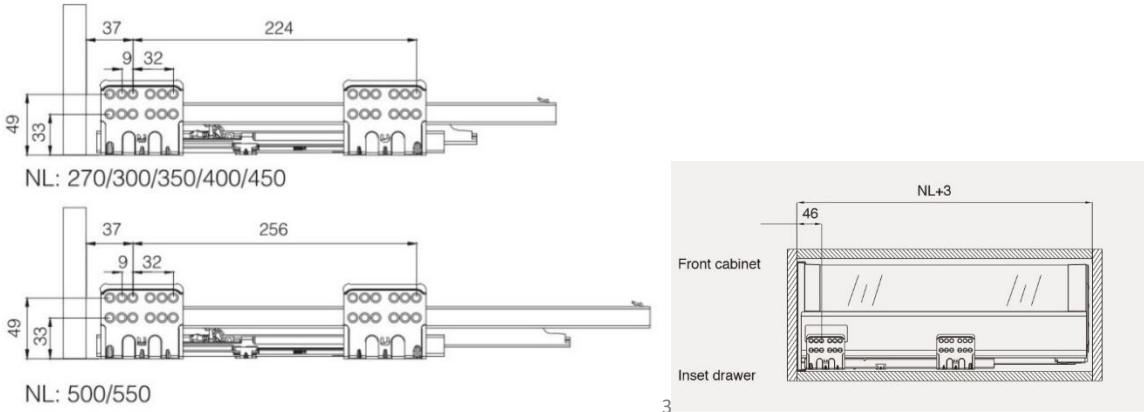
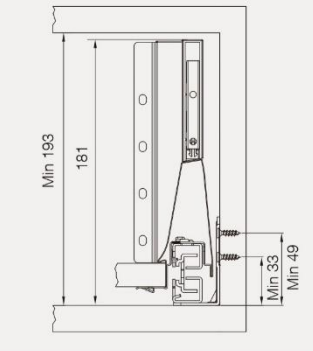
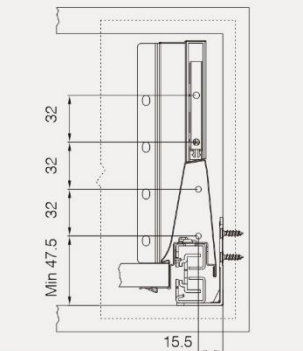
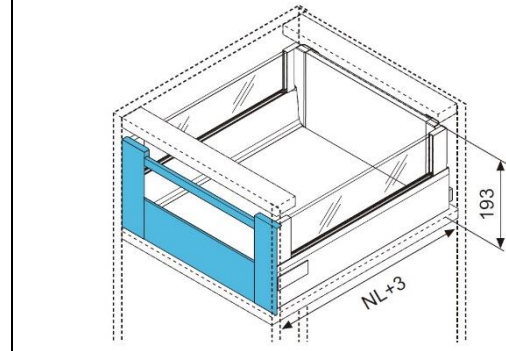
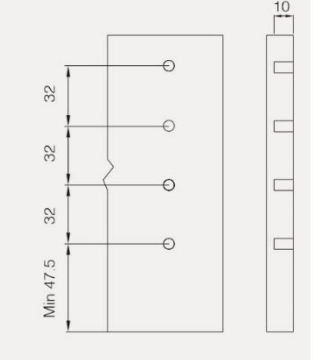
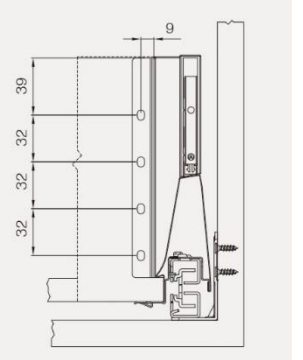
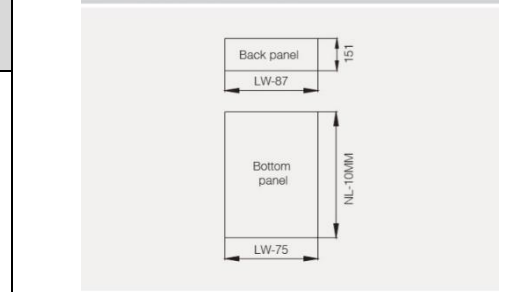
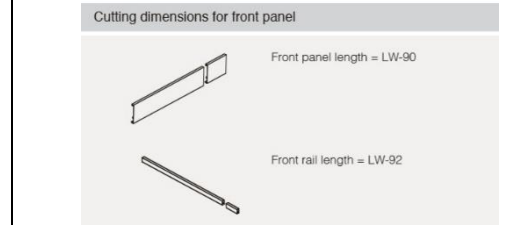


## 11.A3203: CEMUX Inner Frosted GLASS Drawer System 167mm Installation Dimensions

		
<b>ASSEMBLY DIMENSIONS OF CABINET</b>	<b>FRONT FIXING BRACKETS</b>	<b>3D DRAWING</b>
		
<b>DRILLING HOLE SIZE FRONT OF DRAWER</b>	<b>DRILLING HOLE SIZE BACK OF DRAWER</b>	<b>Cutting dimensions for 16mm MDF</b>
		
		<b>Cutting dimensions for front panel</b>
		
		<p>LW Internal cabinet width      L Length</p> <p>NL Nominal length              KB Cabinet width</p>