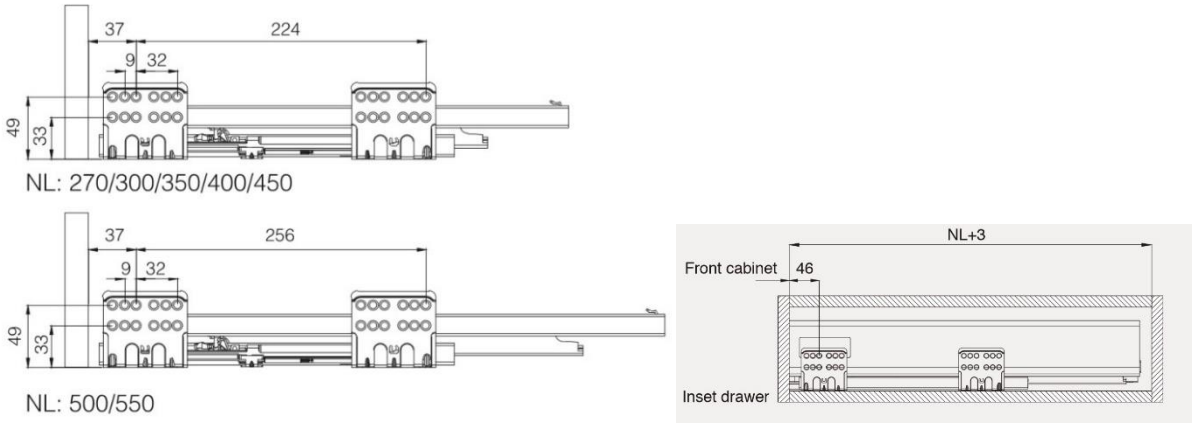
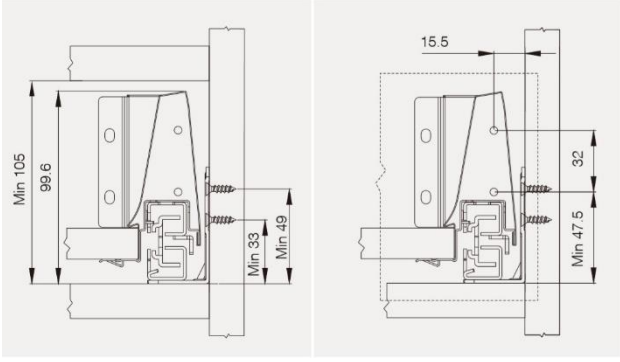
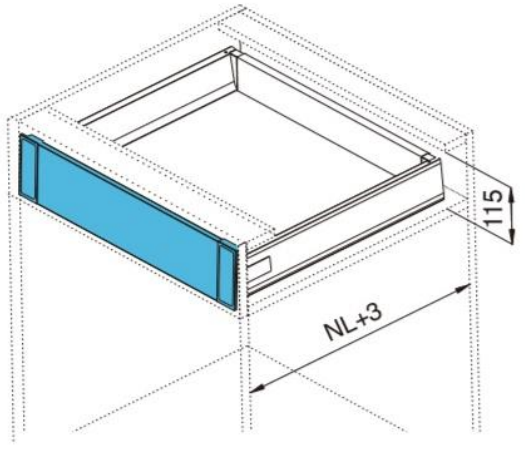
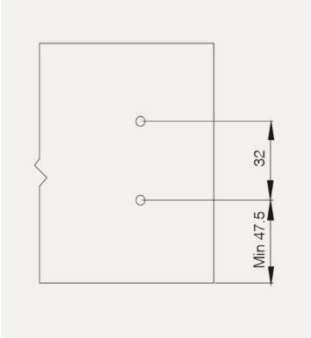
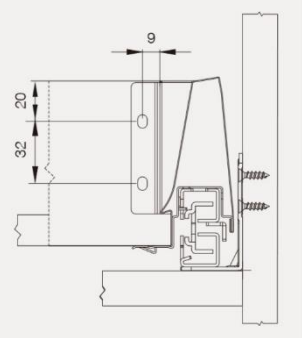
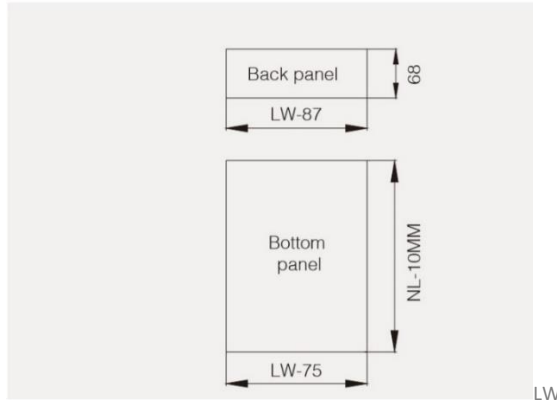


## 11.A3201: CEMUX Inner Drawer System 84mm Installation Dimensions

		
ASSEMBLY DIMENSIONS OF CABINET	FRONT FIXING BRACKETS	3D DRAWING
		
DRILLING HOLE SIZE FRONT OF DRAWER	DRILLING HOLE SIZE BACK OF DRAWER	Cutting dimensions for 16mm MDF
		
<p>Internal cabinet width      L Length</p> <p>NL Nominal length          KB Cabinet width</p>		