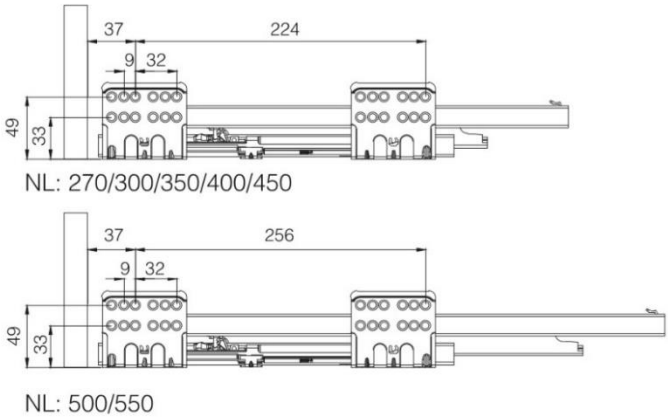
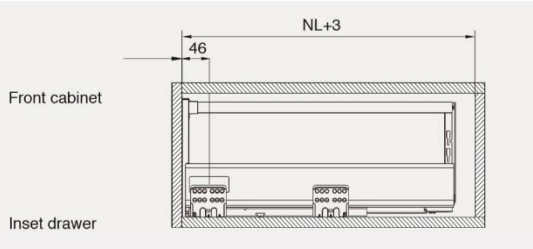
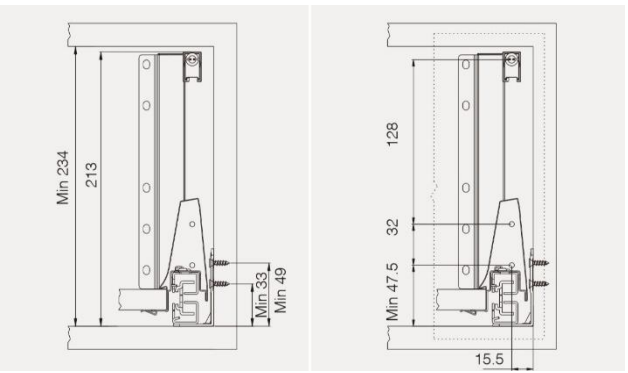
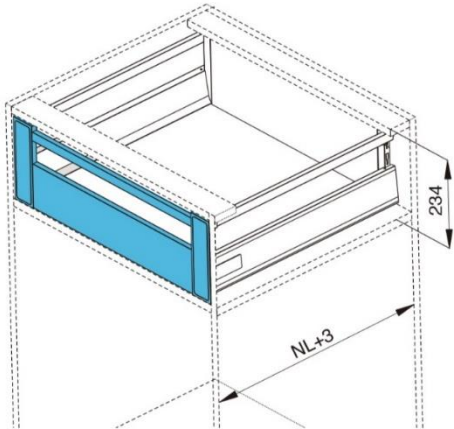
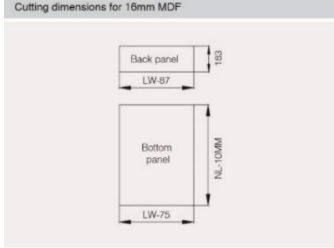
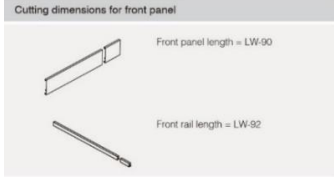
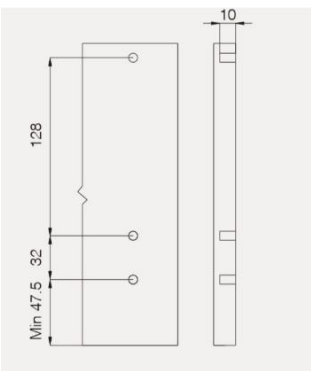
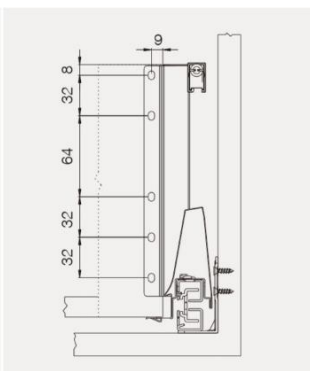


11.A3204: CEMUX Inner Drawer System 199mm Installation Dimensions

		
ASSEMBLY DIMENSIONS OF CABINET	FRONT FIXING BRACKETS	3D DRAWING
		
DRILLING HOLE SIZE FRONT OF DRAWER	DRILLING HOLE SIZE BACK OF DRAWER	<p>Cutting dimensions for 16mm MDF</p>  <p>Cutting dimensions for front panel</p> 
		<p>LW Internal cabinet width L Length</p> <p>NL Nominal length KB Cabinet width</p>