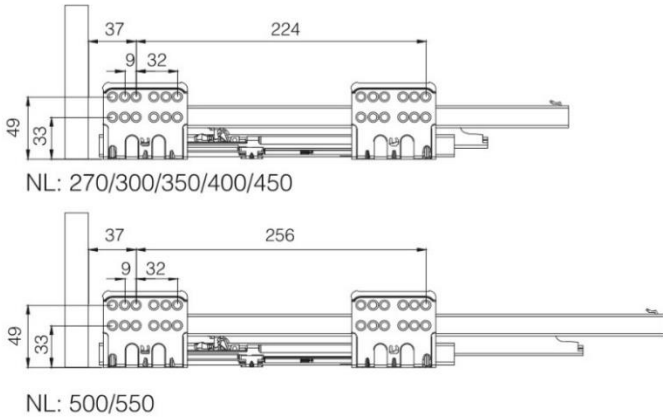
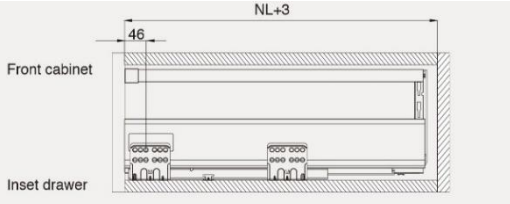
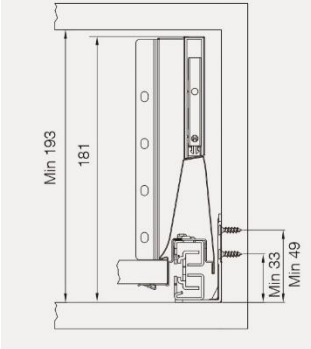
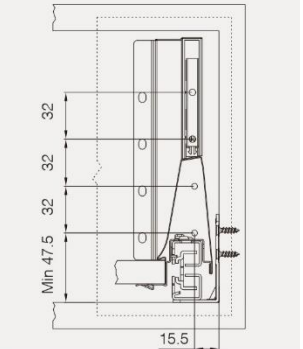
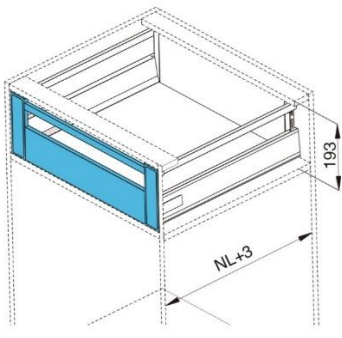
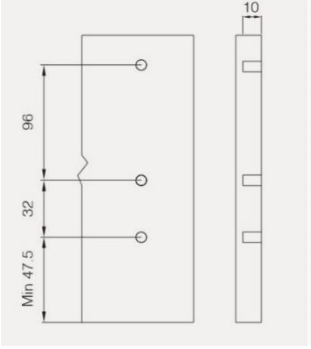
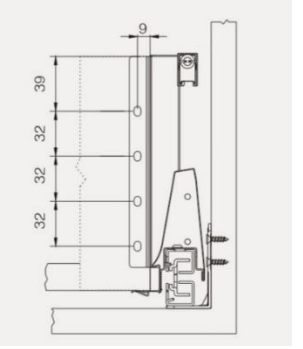
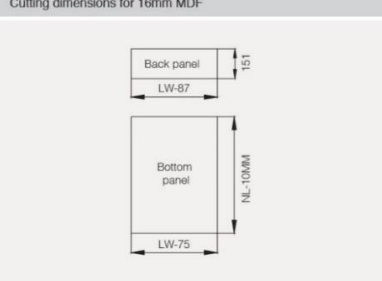
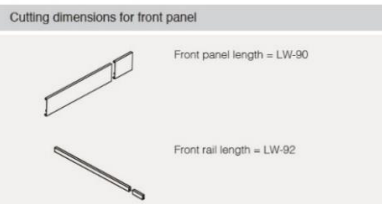


11.A3203: CEMUX Inner Drawer System 167mm Installation Dimensions

 <p>NL: 270/300/350/400/450</p> <p>NL: 500/550</p>		
ASSEMBLY DIMENSIONS OF CABINET	FRONT FIXING BRACKETS	3D DRAWING
		
DRILLING HOLE SIZE FRONT OF DRAWER	DRILLING HOLE SIZE BACK OF DRAWER	Cutting dimensions for 16mm MDF
		
		Cutting dimensions for front panel
		
		<p>LW Internal cabinet width L Length</p> <p>NL Nominal length KB Cabinet width</p>