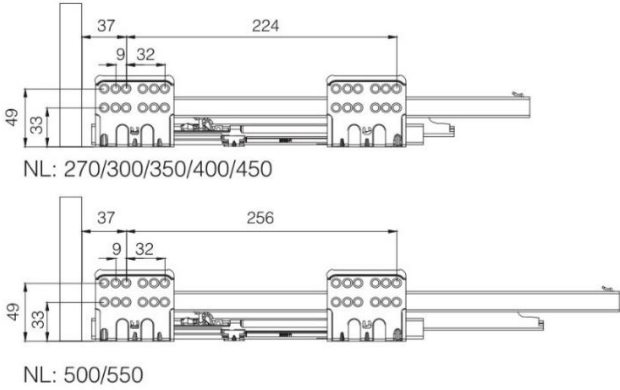
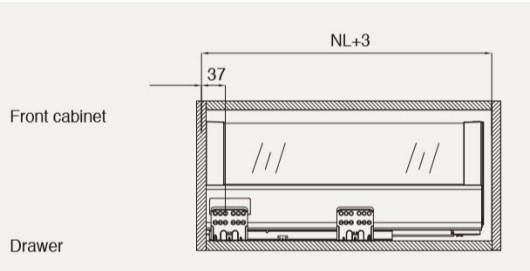
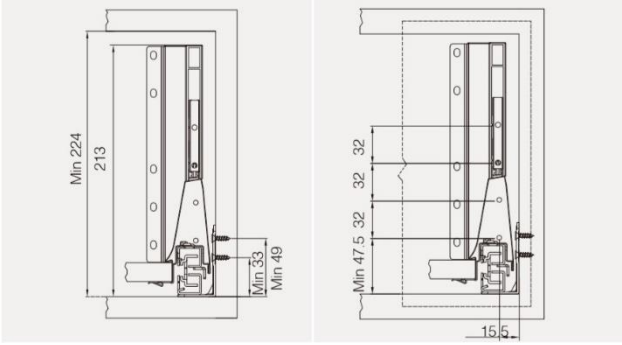
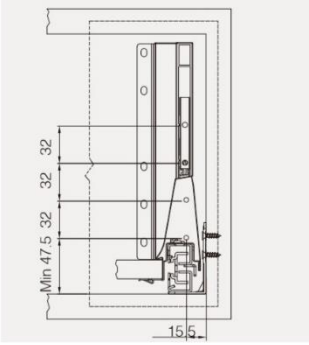
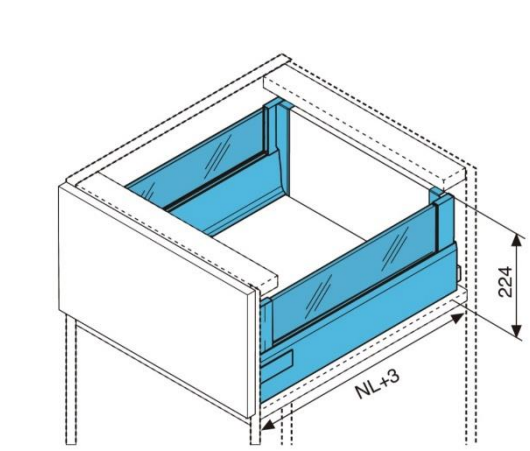


## 11.A3204 CEMUX Drawer System 199mm Installation Dimensions with FROSTED GLASS

		
<b>ASSEMBLY DIMENSIONS OF CABINET</b>	<b>FRONT FIXING BRACKETS</b>	<b>3D DRAWING</b>
		
<b>DRILLING HOLE SIZE FRONT OF DRAWER</b>	<b>DRILLING HOLE SIZE BACK OF DRAWER</b>	<b>CUTTING DIMENSIONS 199mm GLASS SIDES</b>
