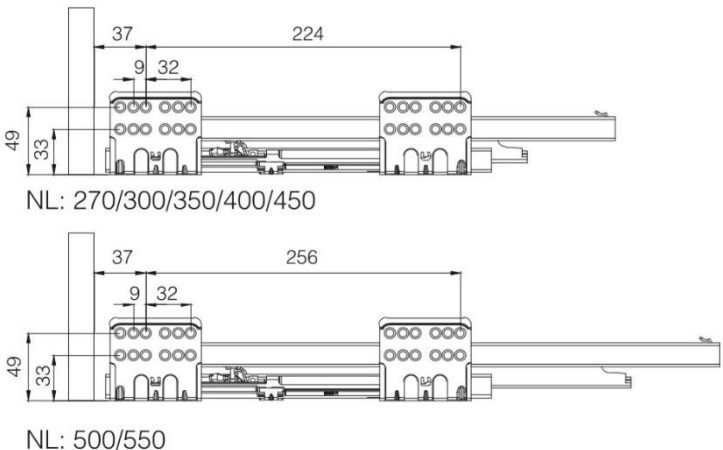
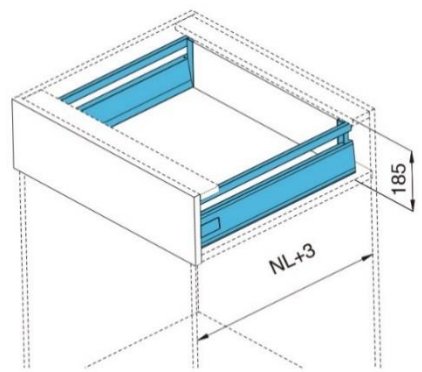
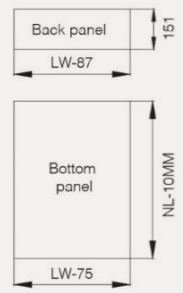
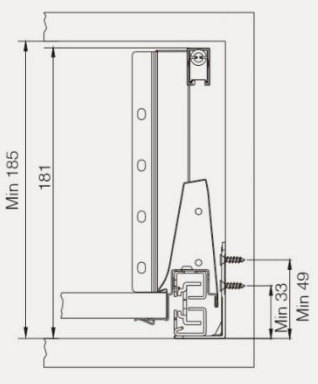
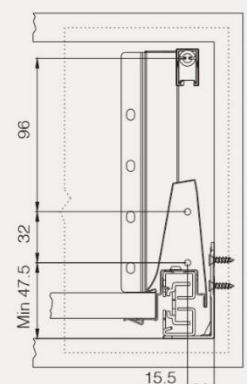


## 11.A3203: CEMUX Drawer System 167mm Installation Dimensions

 <p>NL: 270/300/350/400/450</p> <p>NL: 500/550</p>		
<p><b>ASSEMBLY DIMENSIONS OF CABINET</b></p>	<p><b>FRONT FIXING BRACKETS</b></p>	<p><b>Cutting dimensions for 16mm MDF</b></p> 
		
<p><b>DRILLING HOLE SIZE FRONT OF DRAWER</b></p>	<p><b>DRILLING HOLE SIZE BACK OF DRAWER</b></p>	<p><b>Basic components</b></p> 