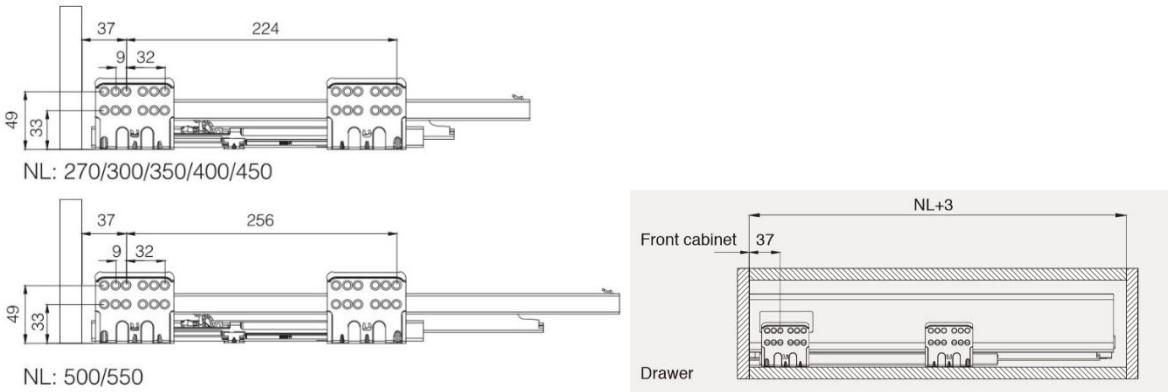
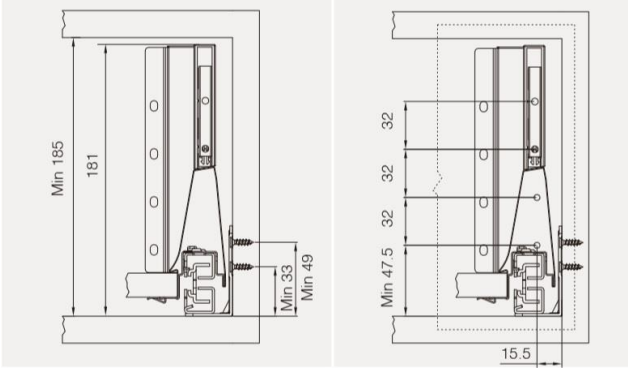
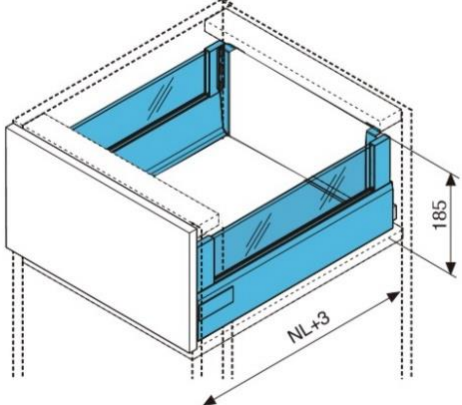
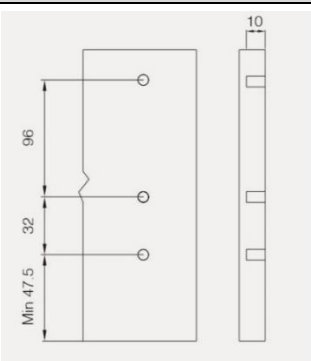
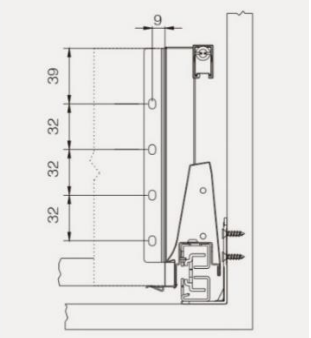


## 11.A3203: CEMUX Drawer System 167mm Installation Dimensions with FROSTED GLASS

 <p>NL: 270/300/350/400/450</p> <p>NL: 500/550</p>		
<b>FRONT FIXING BRACKETS</b>	<b>3D DRAWING</b>	
		
<b>DRILLING HOLE SIZE FRONT OF DRAWER</b>	<b>DRILLING HOLE SIZE BACK OF DRAWER</b>	<b>CUTTING DIMENSIONS FOR 16mm MDF</b>
		<p>Cutting dimensions for 16mm MDF</p> 