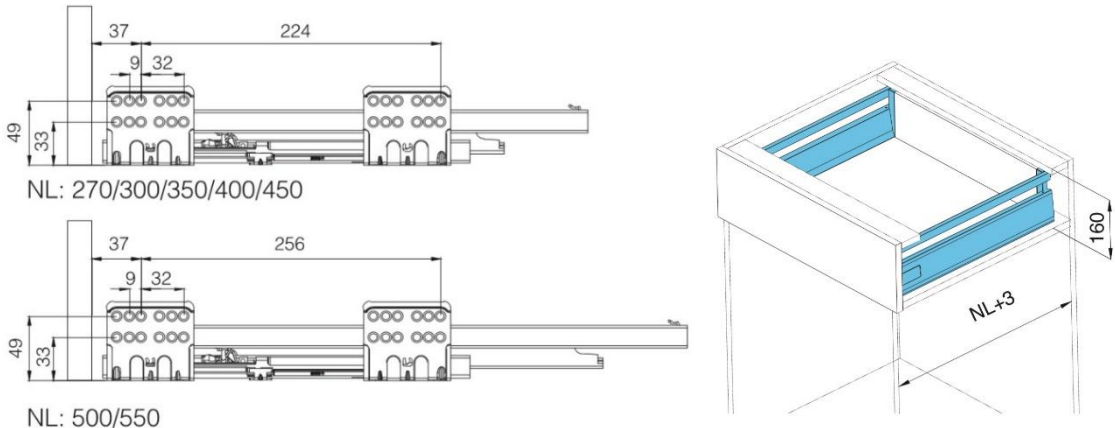
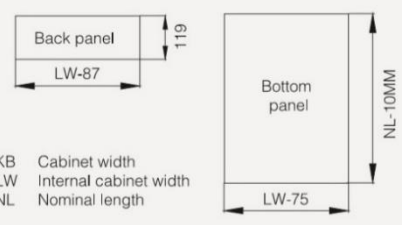
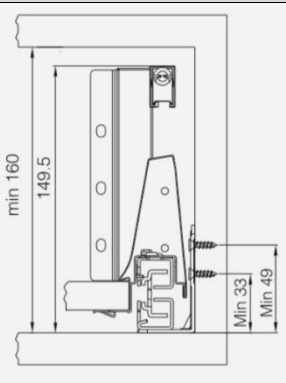
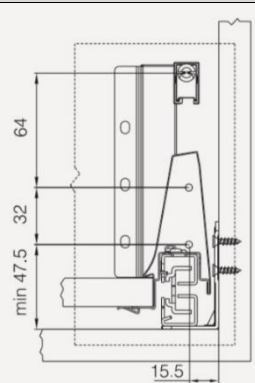


11.A3202: 135mm High CEMUX Double Wall Drawer System Installation Dimensions

		
ASSEMBLY DIMENSIONS OF CABINET	FRONT FIXING BRACKETS	Cutting dimensions for 16mm MDF  KB Cabinet width LW Internal cabinet width NL Nominal length
		
DRILLING HOLE SIZE FRONT OF DRAWER	DRILLING HOLE SIZE BACK OF DRAWER	Basic components 