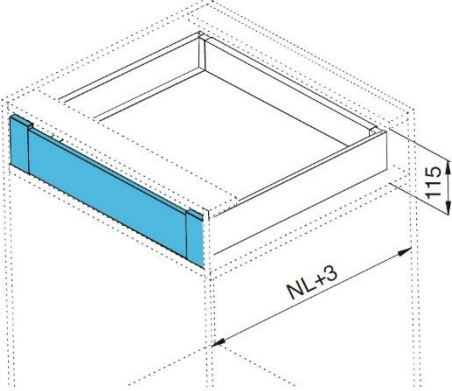
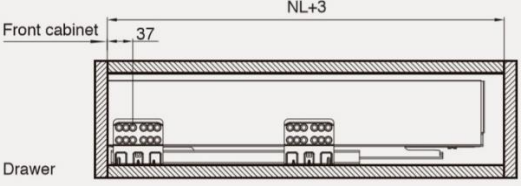
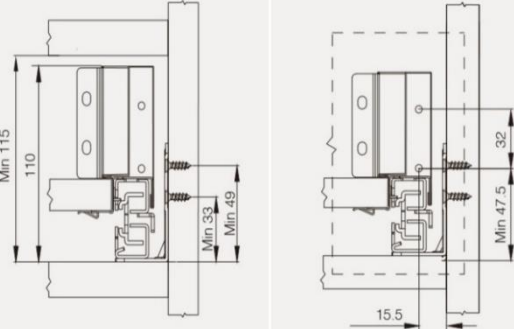

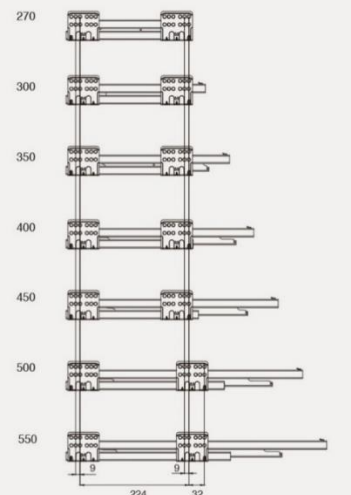
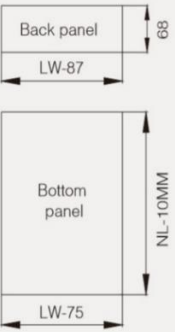


12.H1301A SlimPRO - 84mm Inner Drawer System - Installation Dimensions

			
<p>Cabinet space Front panel installation</p>		<p>Cutting dimensions for front panel</p>	
		 <p>Front panel length = LW-100</p>	
<p>Front panel drilling Back panel installation</p>		<p>Cutting dimensions for 16mm MDF</p>	
<p>Fixing positions for drawer slides</p> 			
<p>LW Internal Cabinet Width NL Nominal Length</p>		<p>L Length KB Cabinet Width</p>	