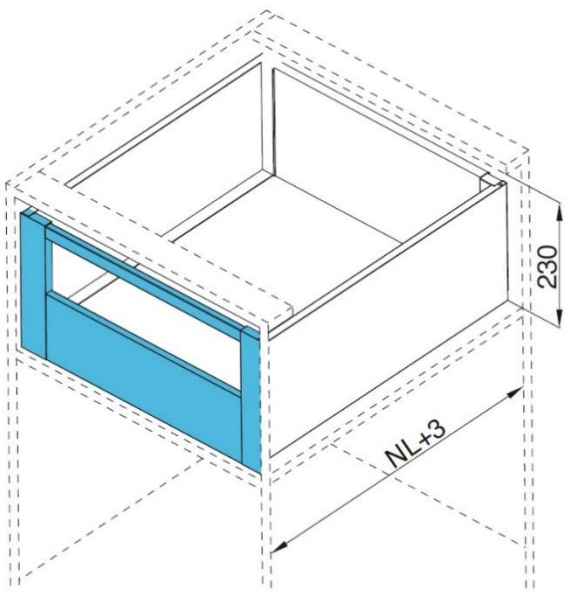
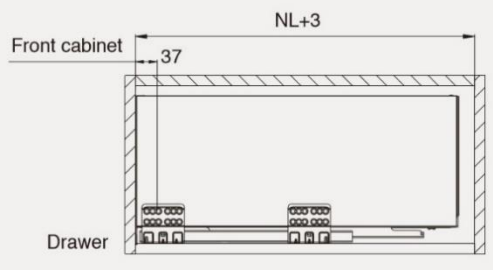


12.H1304D SlimPRO - 199mm Inner Drawer System Installation Dimensions



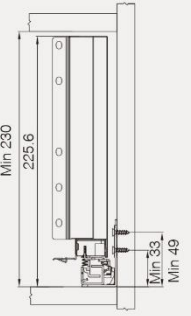
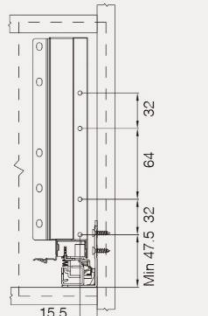


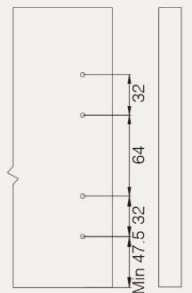
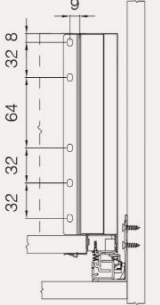
Front cabinet

Drawer

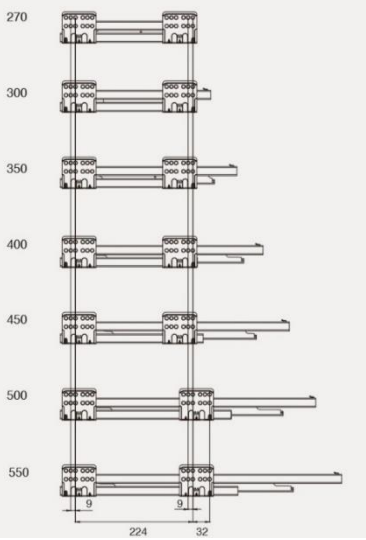
Front panel length = LW-100

Front rail length = LW-88

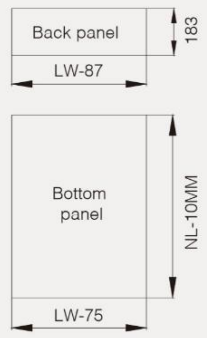
Cabinet space	Front panel installation
	

Front panel drilling	Back panel installation
	

Fixing positions for drawer slides



Cutting dimensions for 16mm MDF



Back panel

Bottom panel

LW - Internal Cabinet Width L - Length

NL - Nominal Length KB - Cabinet Width