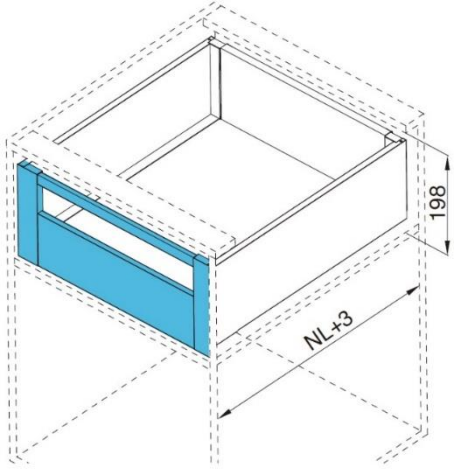
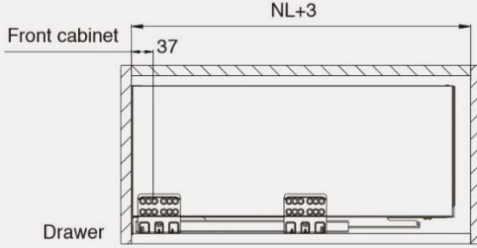
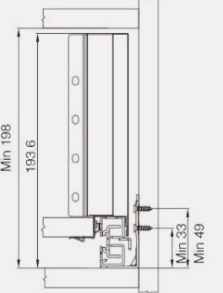
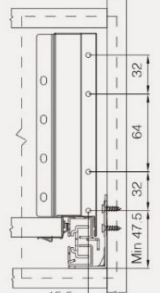
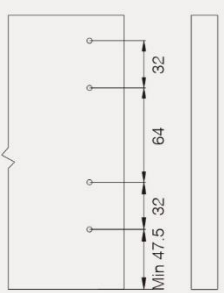
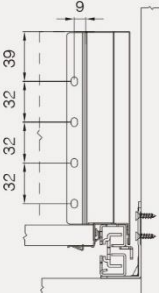
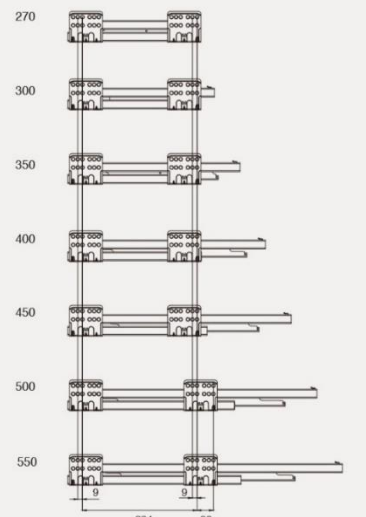
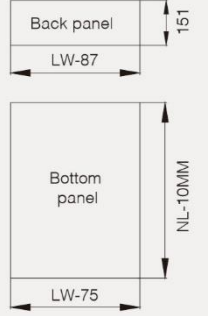


12.H1303C SlimPRO - 167mm Inner Drawer System Installation Dimensions

		 <p>Front cabinet</p> <p>Drawer</p> <p>Cutting dimensions for front panel</p> <p>Front panel length = LW-100</p> <p>Front rail length = LW-88</p>	
<p>Cabinet space</p> 	<p>Front panel installation</p> 	<p>Front panel drilling</p> 	<p>Back panel installation</p> 
<p>Fixing positions for drawer slides</p> 		<p>Cutting dimensions for 16mm MDF</p>  <p>LW Internal Cabinet Width L Length</p> <p>NL Nominal Length KB Cabinet Width</p>	